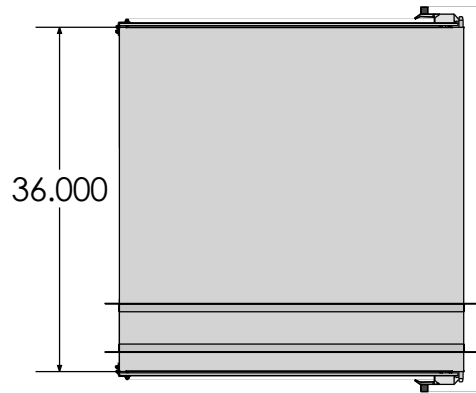


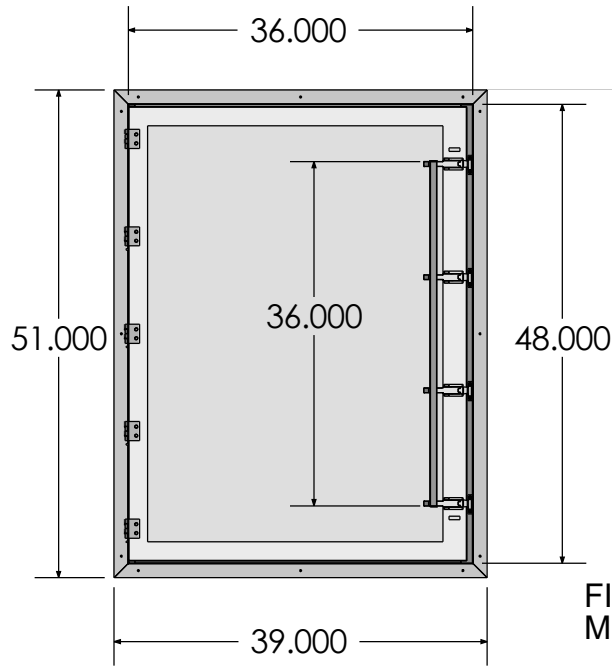
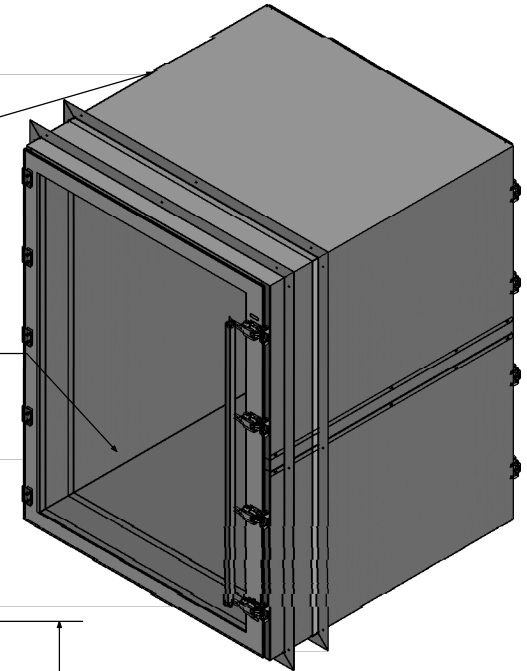
ALL SHOPS



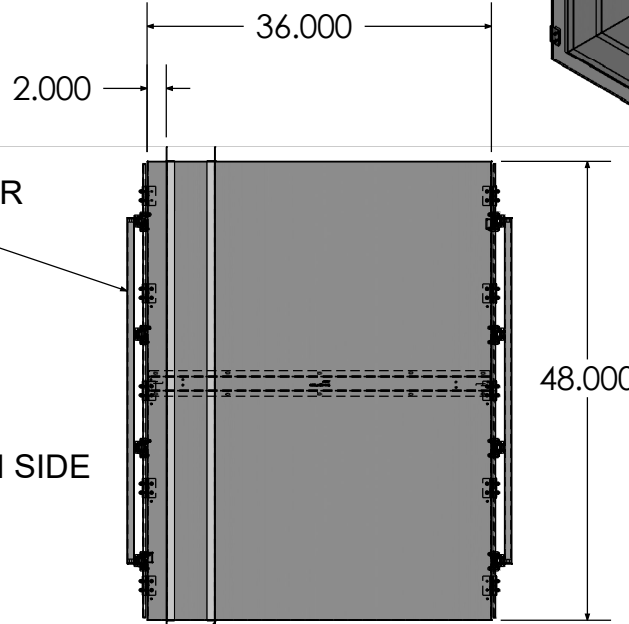
CleanSeam
CONTINUOUSLY WELDED
CHAMBER

WALL CUT OUT
36.500W X 48.500H

PVC WINDOW



PA06497-48
HANDLE BAR
(X2)



CLEAN SIDE

DIRTY SIDE

FIXED
MOUNTING BRACKET

LOOSE
MOUNTING BRACKET

REVISIONS			
REV#	DESCRIPTION	DATE	BY
NC	INITIAL RELEASE	3-12-18	JR
○			

MATERIAL SPEC.
304SS

FINISH SPEC.

UNLESS OTHERWISE SPECIFIED, DIMENSIONS ARE IN INCHES	
TOLERANCES ON:	
XX DECIMALS ± .03	X' ± 1"
XXX DECIMALS ± .010	X/X ± 1/64
SIGNATURES	
ISSUED BY: JUAN REAL	DATE: 3-12-18
REF #:	

**Terra
Universal**

PROPRIETARY & CONFIDENTIAL
ALL RIGHTS RESERVED BY
TERRA UNIVERSAL
DISCLOSURE OR COPYING PROHIBITED

TITLE	
PASS-THROUGH 304SS 36"W x 36"D x 48"H	
A	1997-08D
SCALE	SHEET 1 OF 9