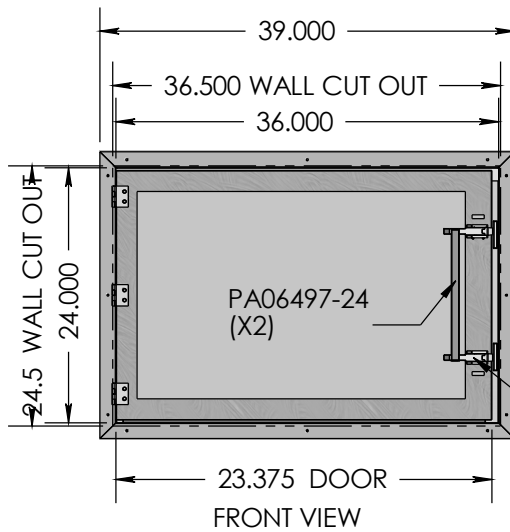
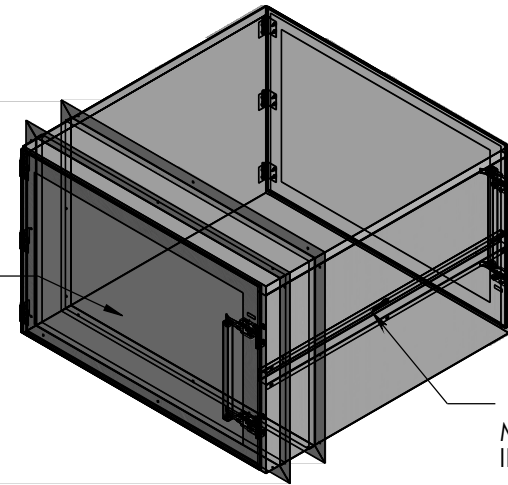


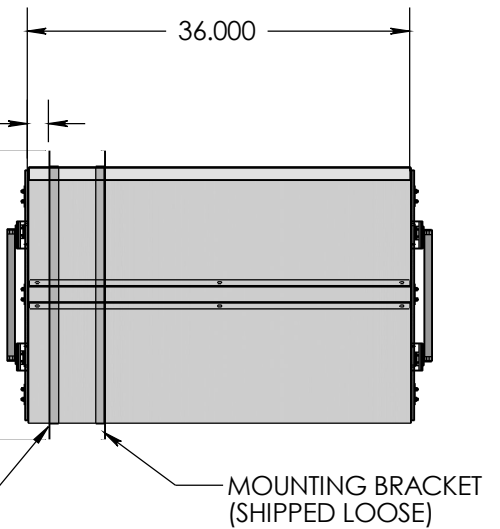
SD PVC
VIEWING WINDOW



SS LIFT LATCH
1603-84
(4X)

2.000

MOUNTING BRACKET
(FIX)



REVISIONS			
REV#	DESCRIPTION	DATE	BY
NC	INITIAL RELEASE	5-14-18	JR

MATERIAL SPEC.
304 SS

FINISH SPEC.

UNLESS OTHERWISE SPECIFIED, DIMENSIONS ARE IN INCHES			
TOLERANCES ON:			
XX	DECIMALS ± .03	X' ±	1"
XXX	DECIMALS ± .010	X/X ±	1/64
SIGNATURES		DATE	
ISSUED BY:	JUAN R	4/10/2019	
REF #:			



PROPRIETARY & CONFIDENTIAL
ALL RIGHTS RESERVED BY
TERRA UNIVERSAL
DISCLOSURE OR COPYING PROHIBITED

TITLE	
PASS-THROUGH: W/B RACKETS 304SS WALL MOUNT 36W X 36D X 24H	
A	1997-03D
SCALE	SHEET 1 OF 9