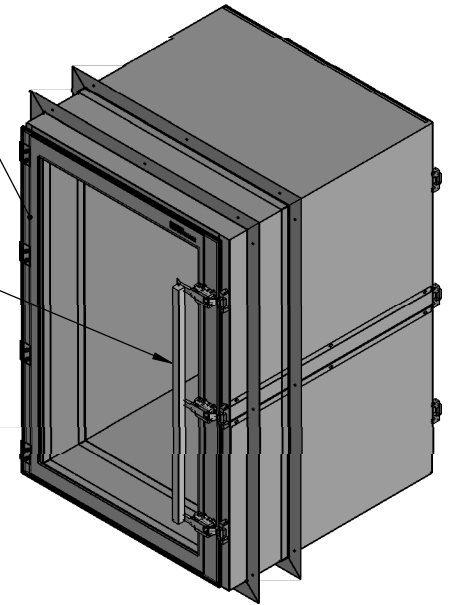


SS DOOR FRAME

PA06497-36



SS LIFTLATCH  
1603-40-2  
(6X)

MOUNTING BRACKET  
(FIXED)

MOUNTING BRACKET  
(SHIPPED LOOSE)

| REVISIONS |                 |         |    |
|-----------|-----------------|---------|----|
| REV#      | DESCRIPTION     | DATE    | BY |
| NC        | INITIAL RELEASE | 1-26-17 | JR |
| ○         |                 |         |    |
|           |                 |         |    |
|           |                 |         |    |

| MATERIAL SPEC. |
|----------------|
| 304SS          |
| SD PVC         |

| FINISH SPEC. |
|--------------|
|              |

| UNLESS OTHERWISE SPECIFIED, DIMENSIONS ARE IN INCHES |                 |            |  |
|--|-----------------|------------|--|
| TOLERANCES ON:                                       |                 |            |  |
| XX   | DECIMALS ± .03  | X' ± 1"    |  |
| XXX  | DECIMALS ± .010 | X/X ± 1/64 |  |
| SIGNATURES   |                 | DATE       |  |
| ISSUED BY:   | JUAN R          | 11/18/2019 |  |
| REF #:   |                 |            |  |

**Terra Universal**

PROPRIETARY & CONFIDENTIAL  
ALL RIGHTS RESERVED BY  
TERRA UNIVERSAL  
DISCLOSURE OR COPYING PROHIBITED

| TITLE  |              |
|--|--------------|
| PASS-THROUGH, 304SS<br>CLEAN SEAM, WALL MOUNT<br>WITH PVC WINDOW<br>24"W x 24"D x 36"H |              |
| A  | 2636-09D-2   |
| SCALE  | SHEET 1 OF 9 |