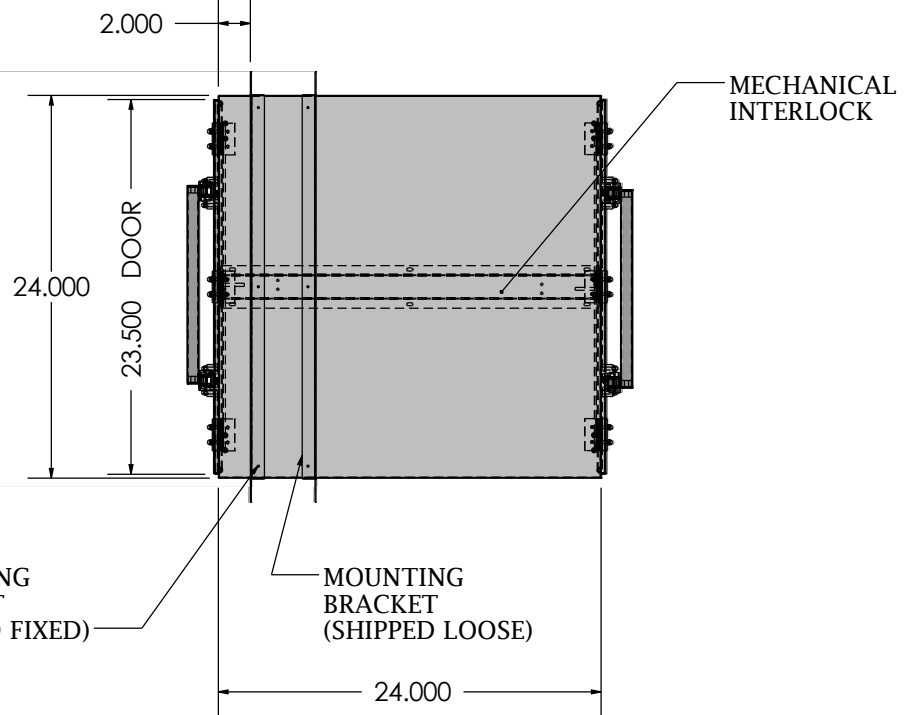
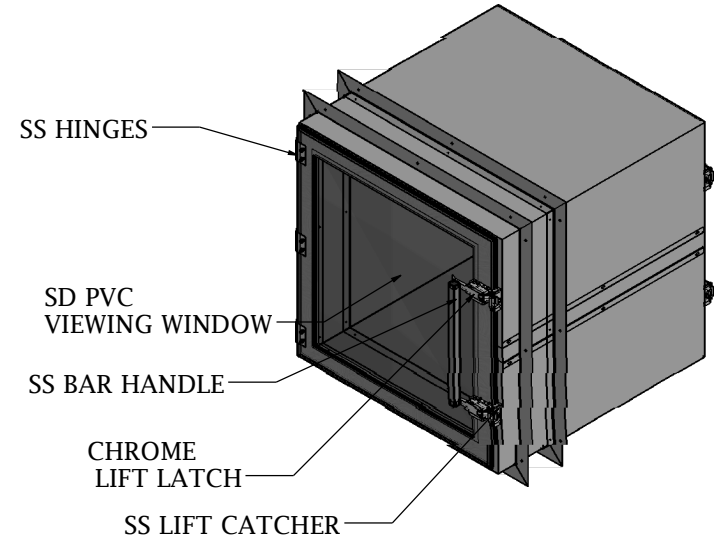


304SS  
BAR HANDLE  
PA06497-24

1603-84  
CHROME  
LIFT LATCH  
4X



MOUNTING  
BRACKET  
(SHIPPED FIXED)

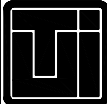
MOUNTING  
BRACKET  
(SHIPPED LOOSE)

MECHANICAL  
INTERLOCK

REVISIONS			
RV#	DESCRIPTION	DATE	BY
NC	INITIAL RELEASE	1-6-17	JR
○			

MATERIAL SPEC.	FINISH SPEC.
304SS SD PVC	

UNLESS OTHERWISE SPECIFIED, DIMENSIONS ARE IN INCHES	
TOLERANCES ON:	
.XX DECIMALS ± .03 X' ± 1"	
.XXX DECIMALS ± .010 X/X ± 1/64	
SIGNATURES	DATE
ISSUED BY: <i>JUAN R</i>	11/18/2020
REF #:	

 <b>Terra Universal</b>	
<small>PROPRIETARY &amp; CONFIDENTIAL ALL RIGHTS RESERVED BY TERRA UNIVERSAL DISCLOSURE OR COPYING PROHIBITED</small>	

TITLE
PASS-THROUGH; 304SS, CLEAN SEAM WALL MOUNT, w/FLANGE 24"W x 24"D x 24"H
A
2636-06D-2
SCALE

	SHEET 1 OF 9
--	--------------