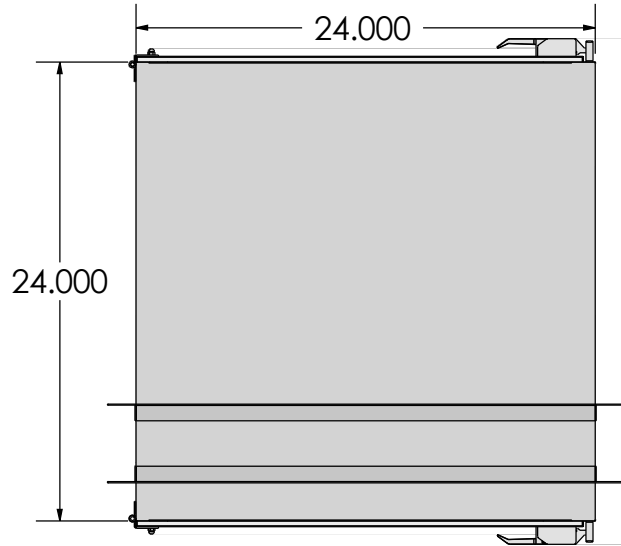
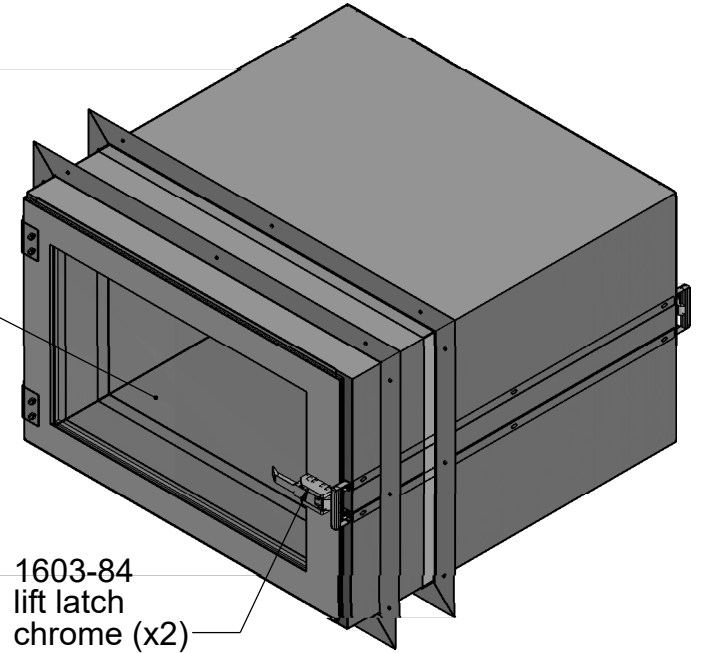


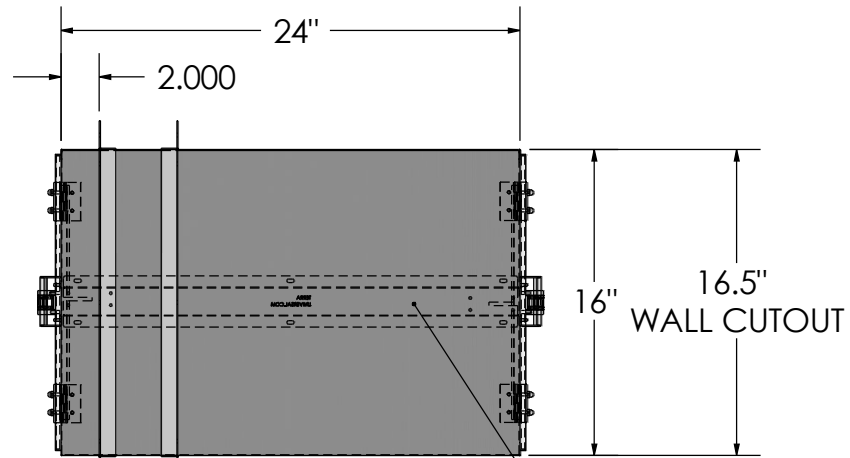
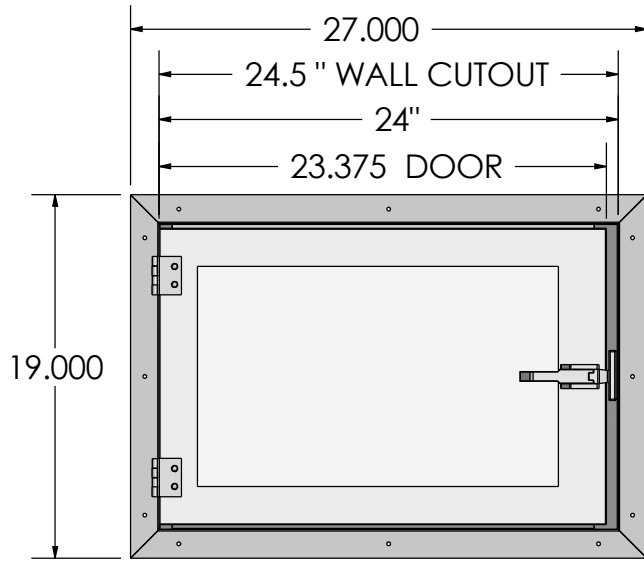
ALL SHOPS



SD PVC VIEWING WINDOW



1603-84 lift latch chrome (x2)



MOUNTING BRACKET (FIXED)

MOUNTING BRACKET (SHIPPED LOOSE)

MECHANICAL INTERLOCK

REVISIONS			
REV#	DESCRIPTION	DATE	BY
01	INITIAL RELEASE	3-12-18	JR

MATERIAL SPEC.	FINISH SPEC.
304SS	EP

UNLESS OTHERWISE SPECIFIED, DIMENSIONS ARE IN INCHES			
TOLERANCES ON:			
XX	DECIMALS ± .03	X' ± 1"	
XXX	DECIMALS ± .010	X/X ± 1/64	
SIGNATURES		DATE	
ISSUED BY:	JUAN REAL	DATE:	3-12-18
REF #:	L		

**Terra Universal**

PROPRIETARY & CONFIDENTIAL  
ALL RIGHTS RESERVED BY  
TERRA UNIVERSAL  
DISCLOSURE OR COPYING PROHIBITED

TITLE	
PASS-THROUGH CHAMBER, EP304SS 24"W x 24"D x 16"H	
SCALE	2636-05D-2
	SHEET 1 OF 9