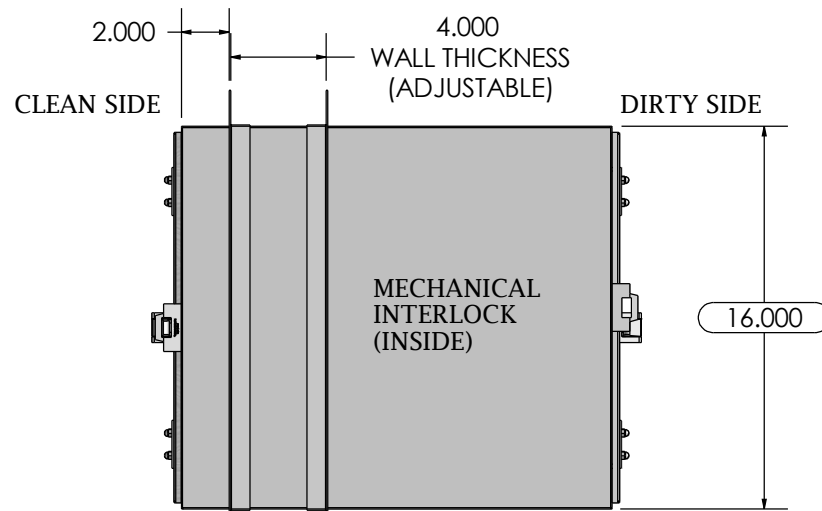
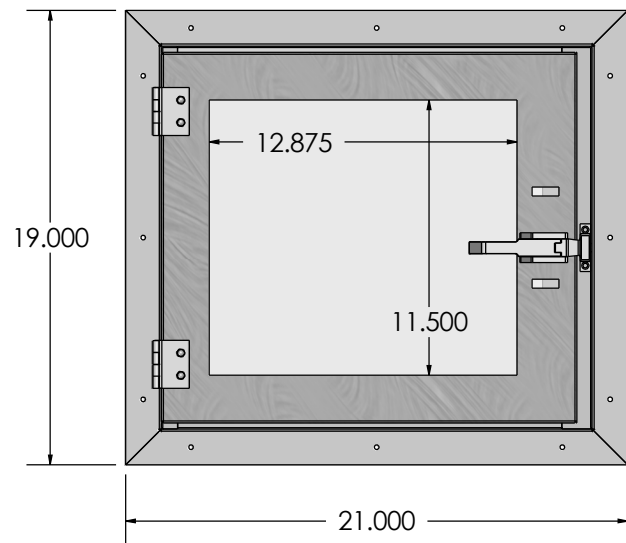
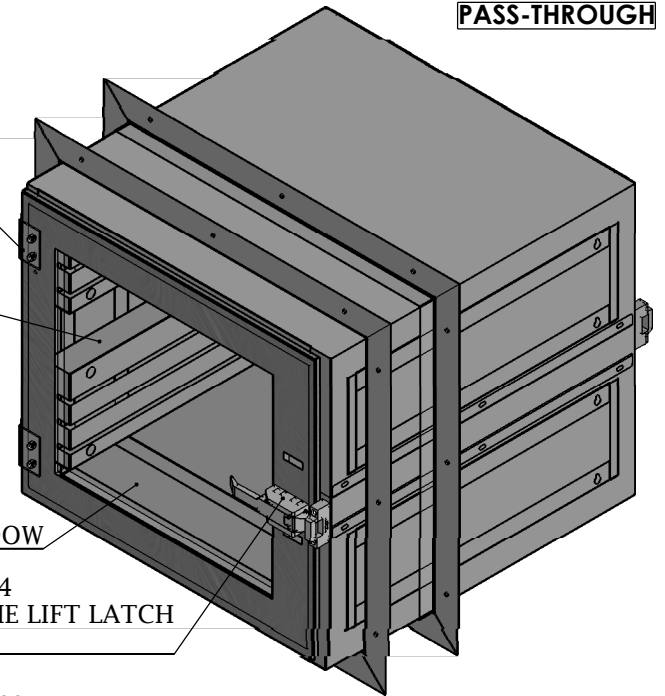


SS HINGES

OPTIONAL RACK
1993-42A

SD PVC
VIEWING WINDOW

1603-84
CHROME LIFT LATCH
(X2)



WALL CUTOUT
18.50"W X 16.50"H

MOUNTING BRACKET
(SHIPPED FIXED)

MOUNTING BRACKET
(SHIPPED LOOSE)

REVISIONS			
REV#	DESCRIPTION	DATE	BY
01	INITIAL RELEASE	3/28/17	MM

MATERIAL SPEC.	FINISH SPEC.
304SS	
SD PVC	

UNLESS OTHERWISE SPECIFIED, DIMENSIONS ARE IN INCHES	
TOLERANCES ON:	
XX DECIMALS ± .03	X' ± 1"
XXX DECIMALS ± .010	X/X ± 1/64
SIGNATURES	
ISSUED BY: JUAN REAL	DATE: 3/28/17
REF #:	

<small>PROPRIETARY & CONFIDENTIAL ALL RIGHTS RESERVED BY TERRA UNIVERSAL DISCLOSURE OR COPYING PROHIBITED</small>	

TITLE	PASS-THROUGH, CLEANSEAM 304SS, WALL MOUNT, SINGLE WALL 18W X 18D X 18H
SCALE	A 2636-03D-2

		SHEET 1 OF 9
--	--	--------------