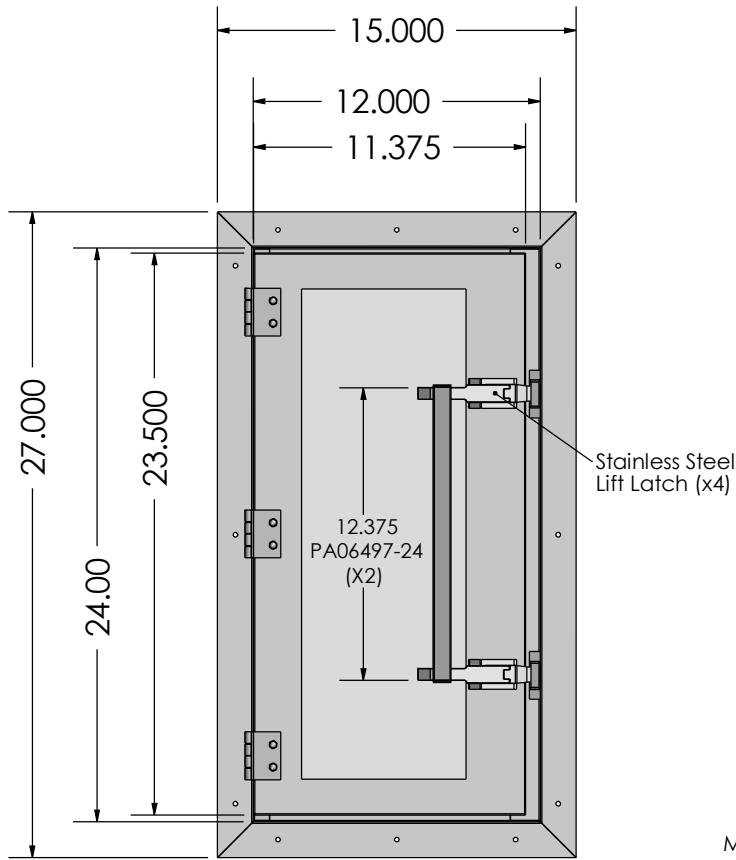
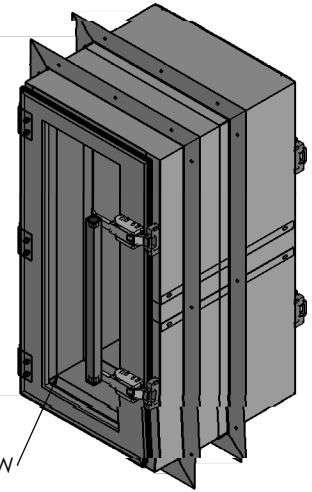
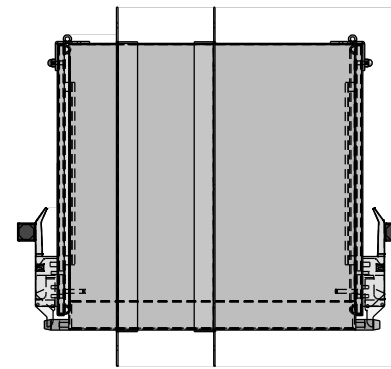


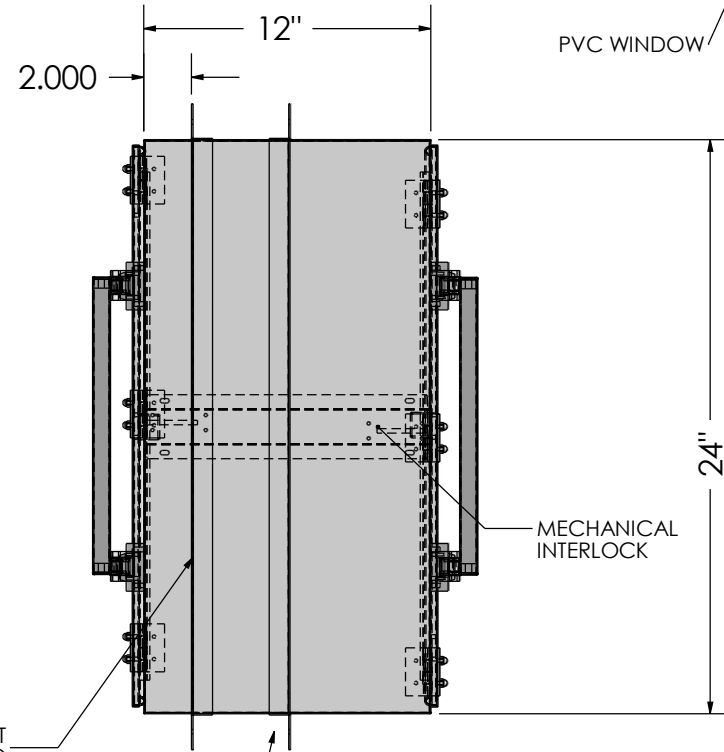
THIS IS A CONTINUOUS WELD CHAMBER



FRONT VIEW  
CLEANROOM SIDE



PVC WINDOW



MECHANICAL INTERLOCK

MOUNTING BRACKET  
FIXED

MOUNTING BRACKET  
(SHIPPED LOOSE)

REVISIONS			
R/E	DESCRIPTION	DATE	BY
NC	INITIAL RELEASE	11-09-16	JR

MATERIAL SPEC.	FINISH SPEC.
304 SS	

UNLESS OTHERWISE SPECIFIED, DIMENSIONS ARE IN INCHES	
TOLERANCES ON:	
.XX DECIMALS ±.03	X' ± .1"
.XXX DECIMALS ±.010	X/X ±1/64
SIGNATURES	
ISSUED BY: JUAN R	DATE: 11-09-16
REF #:	


**Terra Universal**

PROPRIETARY & CONFIDENTIAL  
ALL RIGHTS RESERVED BY  
TERRA UNIVERSAL  
DISCLOSURE OR COPYING PROHIBITED

TITLE	
PASS-THROUGH; 304 SS CLEAN SEAM, WALL MOUNTED 12"Wx12"Dx24"H	
2636-02D-2	
SCALE	SHEET 1 OF 8