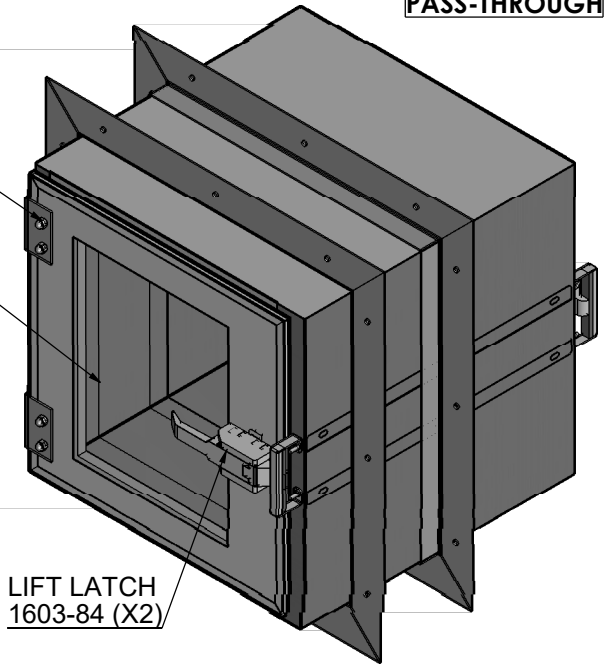


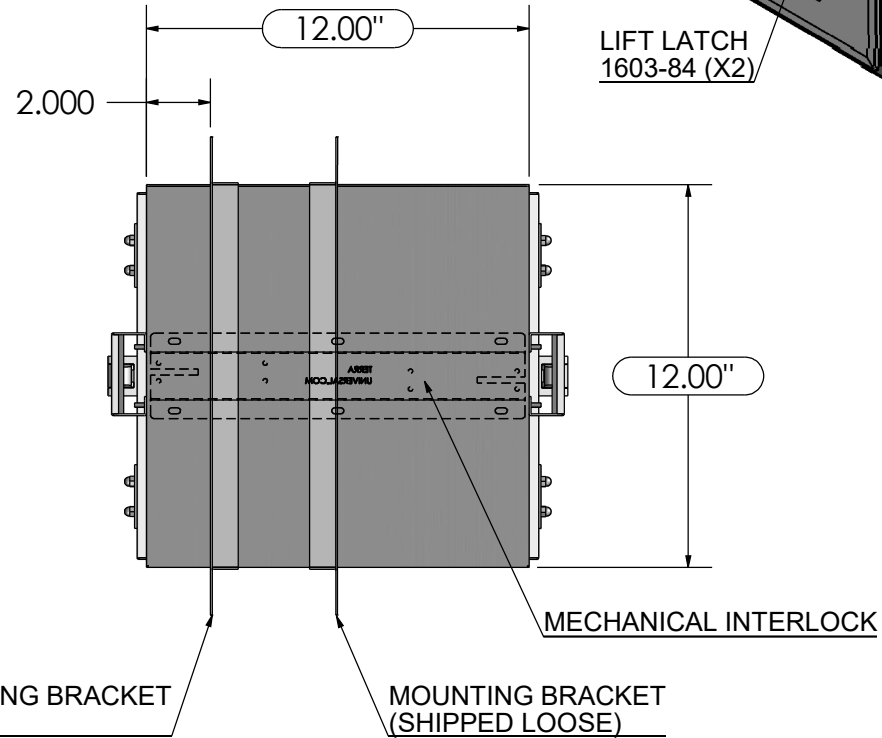
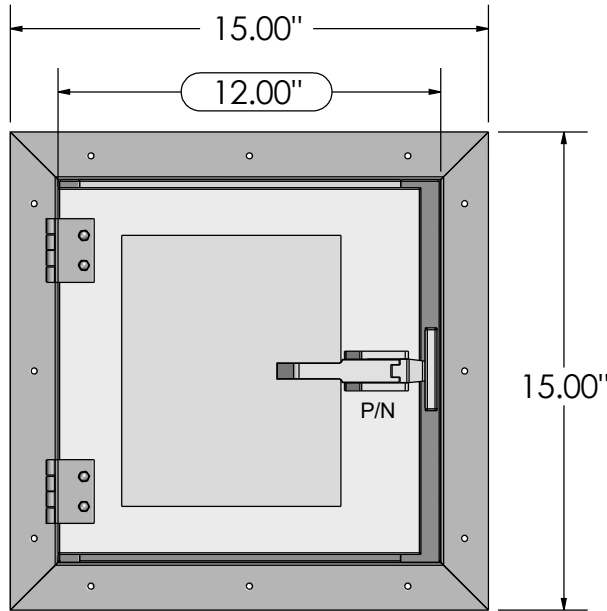
HINGES
PA01553

SD PVC
VIEWING WINDOW



LIFT LATCH
1603-84 (X2)

WALL CUTOUT
12.50W X 12.50H



MOUNTING BRACKET
(FIXED)

MOUNTING BRACKET
(SHIPPED LOOSE)

MECHANICAL INTERLOCK

REVISIONS			
REV#	DESCRIPTION	DATE	BY
NC	INITIAL RELEASE	3-16-17	JR

MATERIAL SPEC.	FINISH SPEC.
304SS	
SD PVC	

UNLESS OTHERWISE SPECIFIED, DIMENSIONS ARE IN INCHES
TOLERANCES ON:
XX DECIMALS ± .03 X' ± 1"
XXX DECIMALS ± .010 Y/X ± 1/64

SIGNATURES		DATE
ISSUED BY: JUAN R		3-16-17
REF #:		



PROPRIETARY & CONFIDENTIAL
ALL RIGHTS RESERVED BY
TERRA UNIVERSAL
DISCLOSURE OR COPYING PROHIBITED

TITLE	
PASS-THROUGH CLEANSEAM, WALL MOUNT 304SS 12W X 12D X 12H	
A	2636-01D-2
SCALE	SHEET 1 OF 9