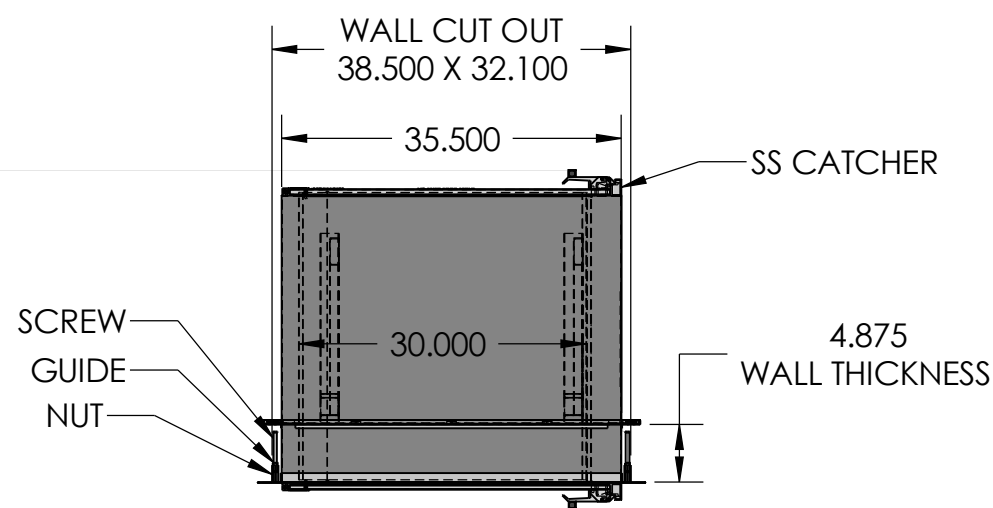
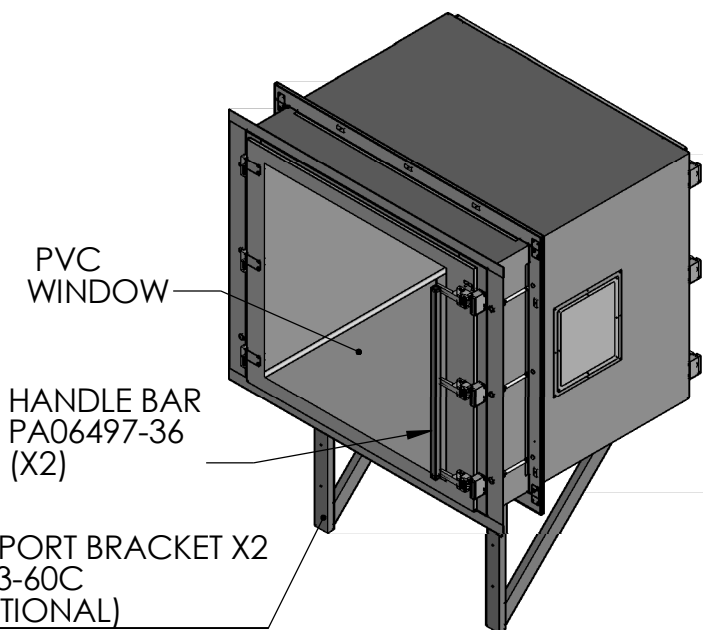


SECTION D-D  
SCALE 1 : 20

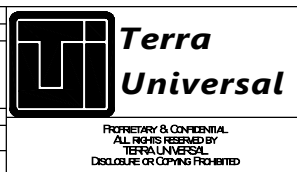


REVISIONS			
RV#	DESCRIPTION	DATE	BY
NC	INITIAL RELEASE	9-30-19	JR

MATERIAL SPEC.
316L SS

FINISH SPEC.

UNLESS OTHERWISE SPECIFIED, DIMENSIONS ARE IN INCHES	
TOLERANCES ON:	
.XX DECIMALS ± .03	X' ± 1"
.XXX DECIMALS ± .010	X/X ± 1/64
SIGNATURES	DATE
ISSUED BY: JUAN REAL	3/6/2020
REF #:	-



TITLE	
PASS-THROUGH; 316L SS CLEANSEAM, 30"W X 30"D X 30"H ISOLATED INTERLOCK	
A	2638-87B-2-316
SCALE	SHEET 1 OF 19