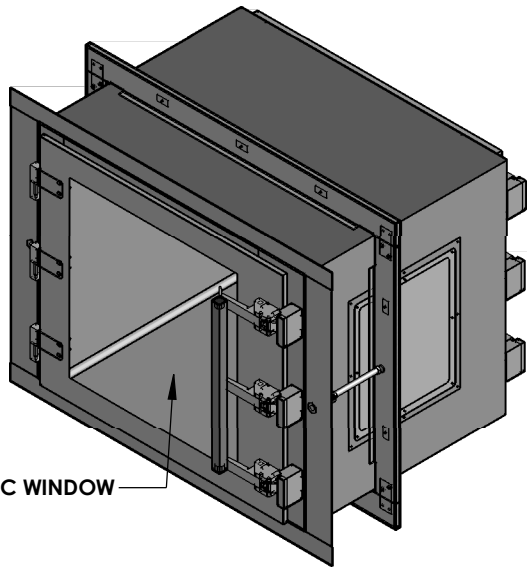
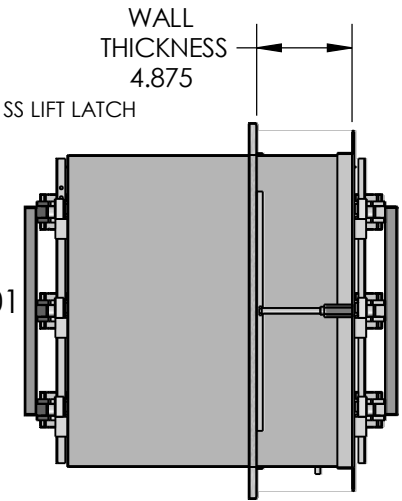
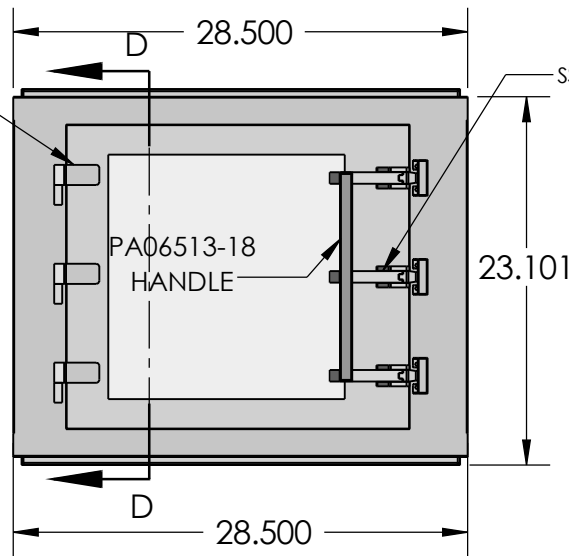
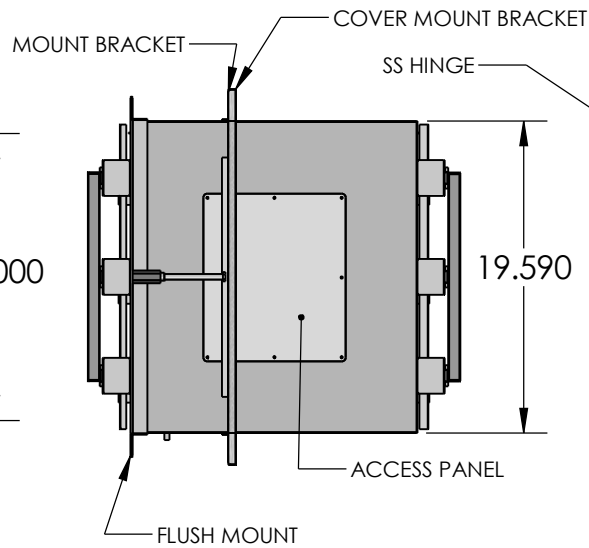
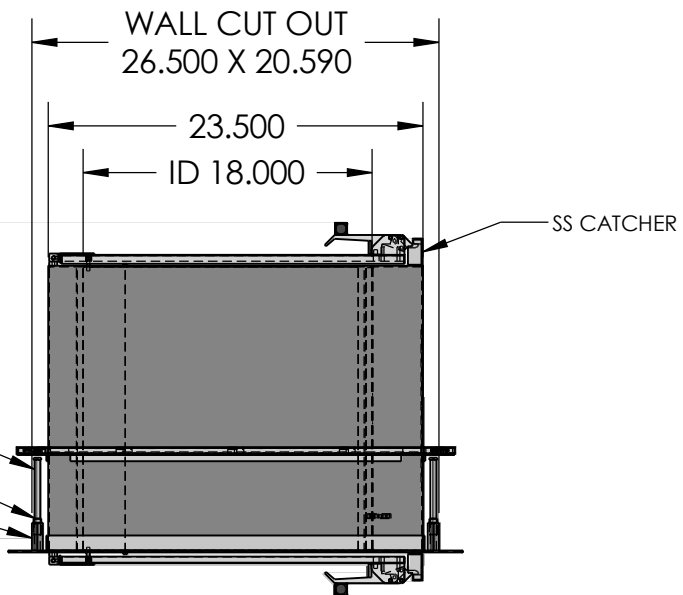


SECTION D-D
SCALE 1 : 12



PVC WINDOW



| REVISIONS | | | |
|-----------|-----------------|---------|----|
| RV# | DESCRIPTION | DATE | BY |
| NC | INITIAL RELEASE | 8-18-20 | JR |
| ○ | | | |
| | | | |
| | | | |

| MATERIAL SPEC. | FINISH SPEC. |
|----------------|--------------|
| 316L SS | |

| UNLESS OTHERWISE SPECIFIED, DIMENSIONS ARE IN INCHES | |
|--|------------|
| TOLERANCES ON: | |
| .XX DECIMALS ± .03 | X' ± 1" |
| .XXX DECIMALS ± .010 | X/X ± 1/64 |
| SIGNATURES | DATE |
| ISSUED BY: JUAN REAL | 10/23/2020 |
| REF #: | |

**Terra
Universal**

PROPRIETARY & CONFIDENTIAL
ALL RIGHTS RESERVED BY
TERRA UNIVERSAL
DISCLOSURE OR COPYING PROHIBITED

| TITLE |
|---|
| PASS-THROUGH; 316L SS CLEAN MOUNT CLEANSEAM, 18"W X 18"D X 18"H ISOLATED INTERLOCK |
| A 2638-86B-2-316 |
| SCALE SHEET 1 OF 18 |