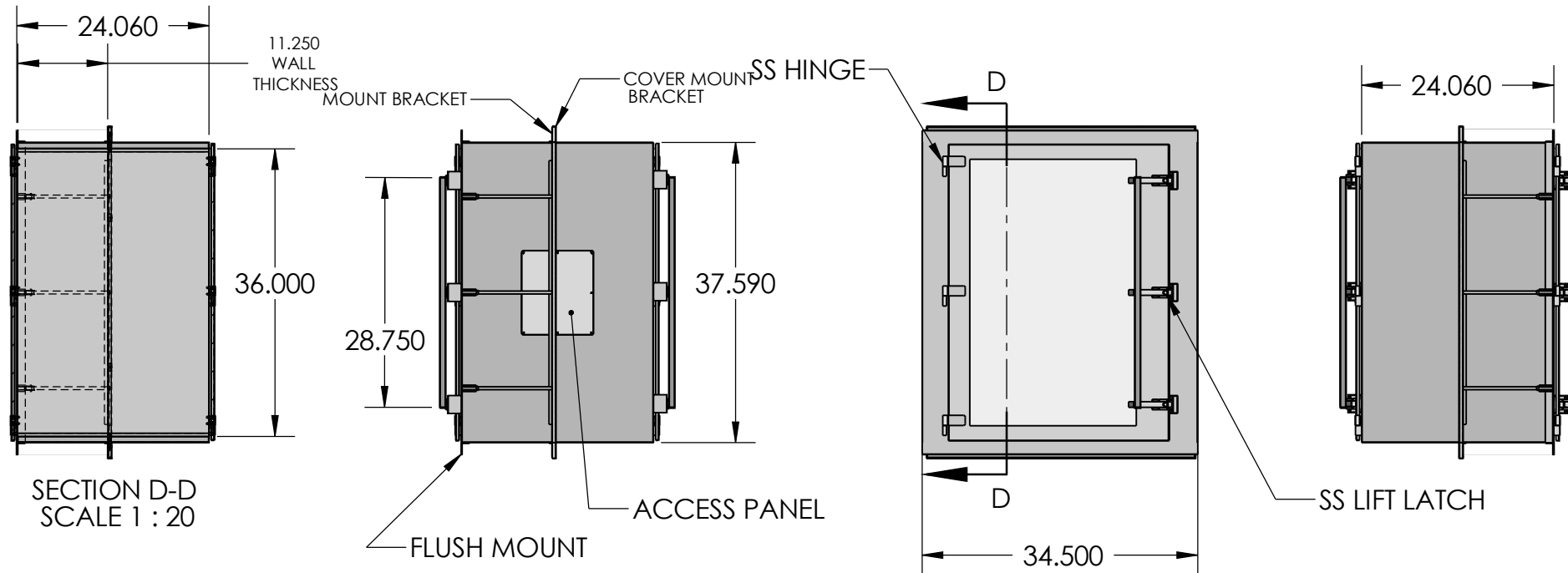
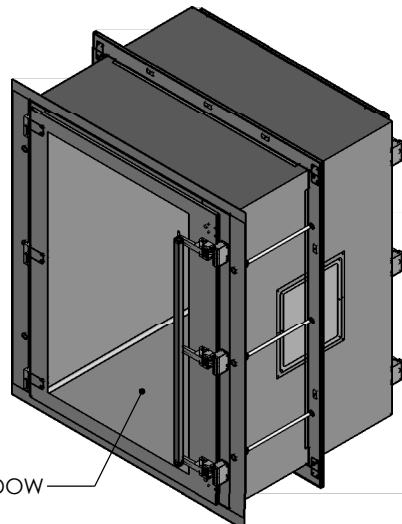


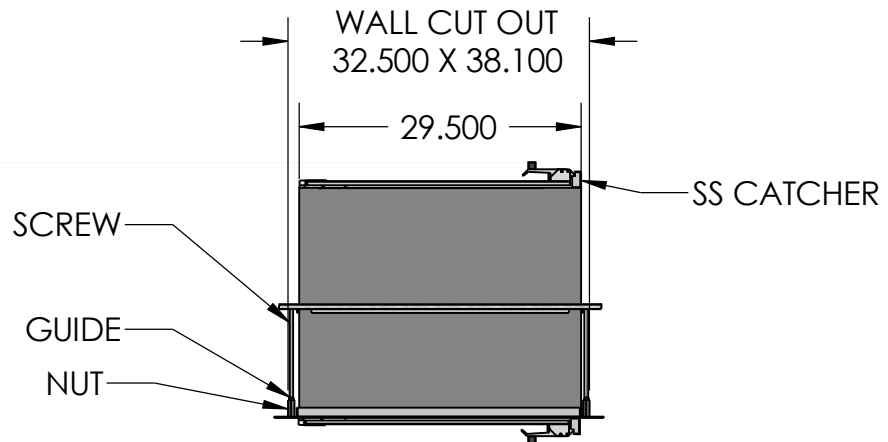
ALL SHOPS



SECTION D-D  
SCALE 1 : 20



PVC WINDOW



REVISIONS			
RV#	DESCRIPTION	DATE	BY
NC	INITIAL RELEASE	12-23-20	JR

MATERIAL SPEC.
316L SS

FINISH SPEC.

UNLESS OTHERWISE SPECIFIED, DIMENSIONS ARE IN INCHES	
TOLERANCES ON:	
.XX DECIMALS ± .03	X' ± 1"
.XXX DECIMALS ± .010	X/X ± 1/64
SIGNATURES	
ISSUED BY: JUAN REAL	DATE: 12-23-20
REF #:	

**Terra Universal**

PROPRIETARY & CONFIDENTIAL  
ALL RIGHTS RESERVED BY  
TERRA UNIVERSAL  
DISCLOSURE OR COPYING PROHIBITED

TITLE	
PASSTHROUGH CHAMBER CLEANMOUNT CLEANSEAM 24X24X36 316L SS	
A	2638-78B-2-316
SCALE	SHEET 1 OF 1