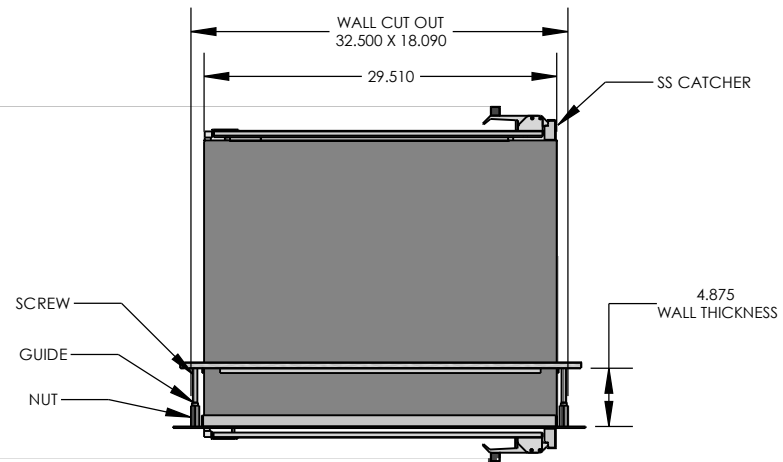
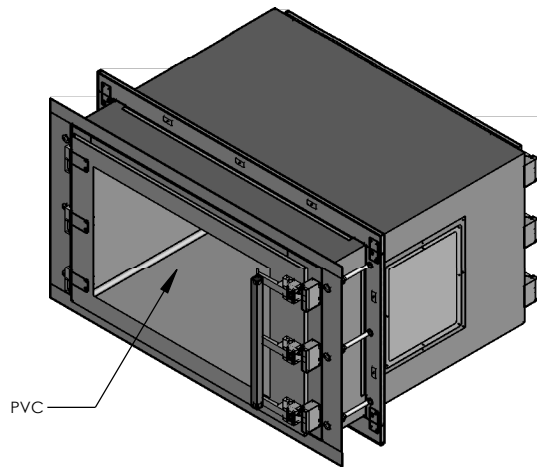
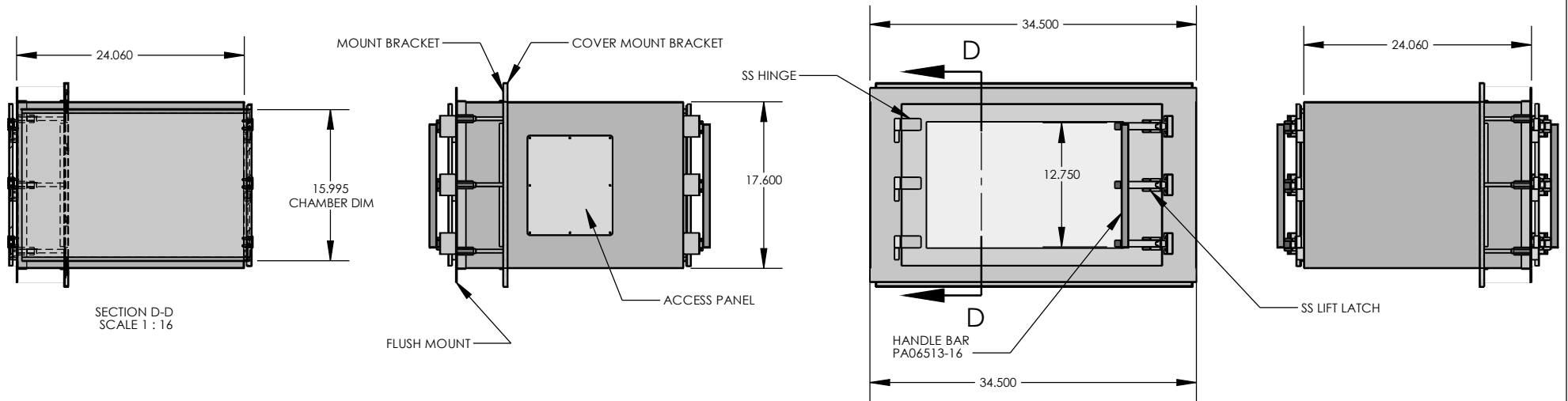


ALL SHOPS



REVISIONS			
RV#	DESCRIPTION	DATE	BY
NC	INITIAL RELEASE	1-26-21	JR
○			

MATERIAL SPEC.
316L SS

FINISH SPEC.

UNLESS OTHERWISE SPECIFIED, DIMENSIONS ARE IN INCHES			
TOLERANCES ON:			
.XX	DECIMALS ± .03	X' ± 1"	
.XXX	DECIMALS ± .010	X/X ± 1/64	
SIGNATURES		DATE	
ISSUED BY:	JUAN R	1-26-21	
REF #:			



TITLE	
Pass-Through; CleanMount CleanSeam, 24" W x 24" D x 16" H ID, Flush Wall Mount, 316L Stainless Steel	
A	2638-74B-2-316
SCALE	SHEET 1 OF 20