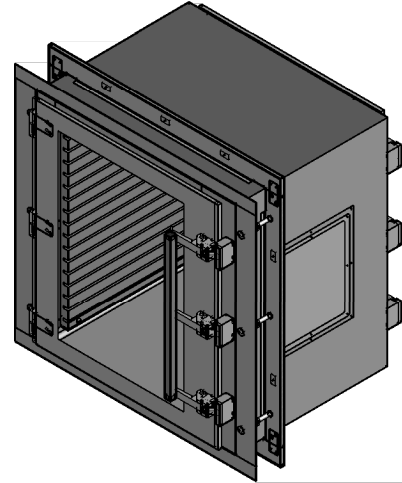



SECTION D-D
SCALE 1:16



REVISIONS				MATERIAL SPEC.	FINISH SPEC.	UNLESS OTHERWISE SPECIFIED, DIMENSIONS ARE IN INCHES		 <small>PROPRIETARY & CONFIDENTIAL ALL RIGHTS RESERVED BY TERRA UNIVERSAL DISCLOSURE OR COPYING PROHIBITED</small>	TITLE
RV#	DESCRIPTION	DATE	BY			TOLERANCES ON:			SCALE
NC	INITIAL RELEASE	9-8-17	JR	316L SS		.XX DECIMALS ± .03	X' ± 1"	A 2638-73B-2-316	Pass-Through; CleanMount CleanSeam, 18" W x 18" D x 24" H ID, Flush Wall Mount, 316L Stainless Steel
○							.XXX DECIMALS ± .010		
						SIGNATURES		DATE	
						ISSUED BY: JUAN R		9-8-17	
						REF #:			SHEET 1 OF 23