



Installation Operation and Maintenance Instructions

Scientific Refrigerator
with External Temperature
Display and Control

MS15RA
MS24RA
SA24RA



CONTENTS

Unpacking your appliance	3
Remove packaging	3
Warranty registration	3
Installing your appliance	4
Select location	4
Cabinet clearance	4
Front grille	4
Leveling legs	4
Electrical requirements and grounding	5
Handle installation	6
Using the Microsentry II™ Control	7
Starting your appliance.....	7
Set temperature	7
Appliance operation.....	7
Alarms.....	7
Alarm mute.....	7
Turning appliance off.....	7
Product dimensions	8
Features	10
Care and cleaning	11
Energy saving tips	11
Troubleshooting	12
Obtaining Service	13
Commercial product warranty	14
Appendix A, additional Microsentry II™ features	15

Important Safety Instructions

Warnings and safety instructions appearing in this guide are not meant to cover all possible conditions and situations that may occur. Common sense, caution, and care must be exercised when installing, maintaining, or operating this appliance.

Recognize Safety Symbols, Words, and Labels.



WARNING

WARNING - Hazards or unsafe practices with high probability of personal injury or property / product damage.



CAUTION

CAUTION - Hazards or unsafe practices which could result in personal injury or property or product damage.

NOTE

NOTE - Important information to help assure a problem free installation and operation.

State of California Proposition 65 Warnings:

WARNING: This product contains one or more chemicals known to the State of California to cause cancer.

WARNING: This product contains one or more chemicals known to the State of California to cause birth defects or other reproductive harm.

UNPACKING YOUR APPLIANCE



WARNING

EXCESSIVE WEIGHT HAZARD

Use two or more people to move product.
Failure to do so can result in back or other injury.

Remove Interior Packaging

Your appliance has been packed for shipment with all parts that could be damaged by movement securely fastened. Remove internal packing materials and any tape holding internal components in place. The owners manual is shipped inside the product in a plastic bag along with the warranty registration card, and other accessory items.

Important

Keep your carton and packaging until your appliance has been thoroughly inspected and found to be in good condition. If there is damage, the packaging will be needed as proof of damage in transit. Afterwards please dispose of all items responsibly.



WARNING

WARNING - Dispose of the plastic bags which can be a suffocation hazard.

Note to Customer

This merchandise was carefully packed and thoroughly inspected before leaving our plant. Responsibility for its safe delivery was assumed by the retailer upon acceptance of the shipment. Claims for loss or damage sustained in transit must be made to the retailer.

NOTE

DO NOT RETURN DAMAGED MERCHANDISE TO THE MANUFACTURER - FILE THE CLAIM WITH THE RETAILER.



CAUTION

If the unit was shipped or has been laying on its back for any period of time allow the appliance to sit upright for a period of at least 24 hours before plugging in. This will assure oil returns to the compressor. Plugging the appliance in immediately may cause damage to internal parts.

Warranty Registration

It is important you send in your warranty registration card immediately after taking delivery of your appliance or you can register online at www.marvelrefrigeration.com.

The following information will be required when registering your unit.

Service Number

Serial Number

Date of Purchase

Dealer's name and address

The service number and serial number can be found on the serial plate which is located inside the cabinet on the left side near the top. (See figure 1).


MARVEL SCIENTIFIC		
GREENVILLE, MI 48838		MC23973
MODEL NO.:	<input type="text"/>	
SERVICE NO.:	<input type="text"/>	REV. <input type="text"/>
SERIAL NO.:	<input type="text"/>	
VOLTS <input type="text"/>	HZ <input type="text"/>	PH <input type="text"/>
BTU/HR <input type="text"/>	AMPS <input type="text"/>	R134A <input type="text"/>
DESIGN PRESSURES		140 PSI LOW SIDE 300 PSI HIGH SIDE

Figure 1



WARNING

WARNING - Help Prevent Tragedies

Child entrapment and suffocation are not problems of the past. Junked or abandoned refrigerators are still dangerous - even if they sit out for "just a few hours".

If you are getting rid of your old refrigerator, please follow the instructions below to help prevent accidents.

Before you throw away your old refrigerator or freezer:

- Take off the doors or remove the drawers.
- Leave the shelves in place so children may not easily climb inside.

INSTALLING YOUR REFRIGERATOR OR FREEZER

Select Location

The proper location will ensure peak performance of your appliance. We recommend a location where the unit will be out of direct sunlight and away from heat sources. To ensure your product performs to specifications the recommended installation location temperature range is from 55 to 100°F (13 to 38°C).

Cabinet Clearance

Ventilation is required from the bottom front section of the unit. Keep this area open and clear of any obstructions. Adjacent cabinets and counter top can be installed around the unit as long as the grille and door access remain unobstructed.

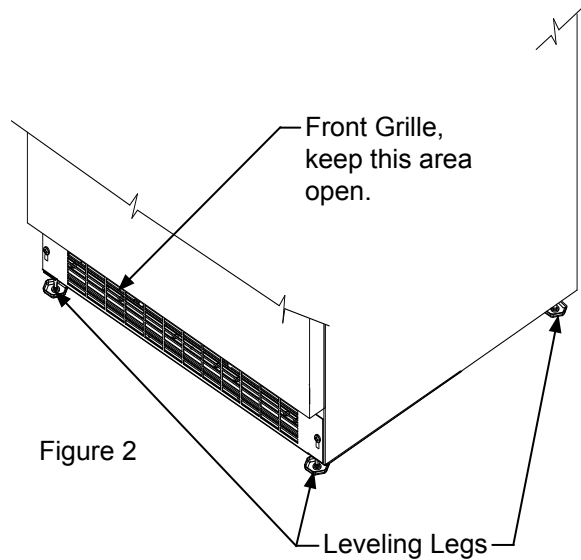


Figure 2

Leveling Legs

Adjustable legs at the front and rear corners of the appliance should be set so the unit is firmly positioned on the floor and level from side to side and front to back. The overall height of your appliance may be adjusted higher (by turning the leveling leg out, CCW) and lower (by turning the leveling leg in, CW) dimensions as shown in Table "A".

To adjust the leveling legs, place the appliance on a solid surface and protect the floor beneath the legs to avoid scratching the floor. With the assistance of another person, lean the appliance back to access the front leveling legs. Raise or lower the legs to the required dimension by turning the legs. Repeat this process for the rear by tilting the appliance forward using caution. On a level surface check the appliance for levelness and adjust accordingly.

The front grille screws may be loosened and the grille adjusted to the desired height. When adjustment is complete tighten the two front grille screws. (See Figure 5).



WARNING

An optional stacking kit is required to stack products. Failure to use a stacking kit could result in personal injury. Contact your dealer or Marvel customer service at 800-223-3900 to order.



CAUTION

Front Grille

Do not obstruct the front grill. The openings within the front grill allow air to flow through the condenser heat exchanger. Restrictions to this air flow will result in increased energy usage and loss of cooling capacity. For this reason it is important this area to not be obstructed and the grill openings kept clean. Marvel does not recommend the use of custom made grills as air flow may be restricted because of inadequate openings. (See Figure 2).

Model	Door Style	Minimum Height	Maximum Height
MS15RA*	(S)	33 ¾" (85.7 cm)	34 ¾" (88.3 cm)
MS24RA*	(G) or (S)	33 ¾" (85.7 cm)	34 ¾" (88.3 cm)
SA24RA*	(S)	31 ⅛" (79.1 cm)	32 ⅛" (81.6 cm)

Table A

GROUNDING METHOD AND ELECTRICAL REQUIREMENTS

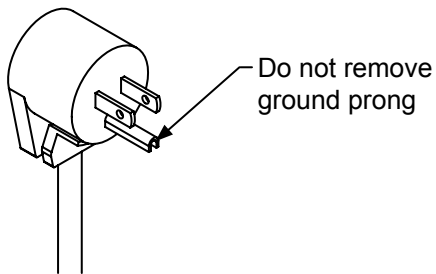


Figure 3

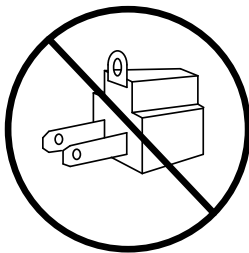


Figure 4

WARNING

Electrical Shock Hazard

- Do not use an extension cord with this appliance. They can be hazardous and cause deficient operation.
- This unit should not, under any circumstances, be installed to an un-grounded electrical supply.
- Do not remove the grounding prong from the power cord. See Figure 3.
- Do not use an adapter. See Figure 4.
- Do not splash or spray water from a hose on the appliance. Doing so may cause an electrical shock, which may result in severe injury or death.

Grounding Method

This product is factory equipped with a power supply cord that has a three-pronged, grounded plug. It must be plugged into a mating grounding type receptacle in accordance with the National Electrical Code and applicable local codes and ordinances (see Figure 6). If the circuit does not have a grounding type receptacle, it is the responsibility and obligation of the customer to provide the proper power supply.

Electrical Requirements

Electrical Requirements: A 115 volt, 15 amp dedicated circuit is required. A 3 prong grounded receptacle is required.

The unit must be installed according to your local building codes and ordinances.

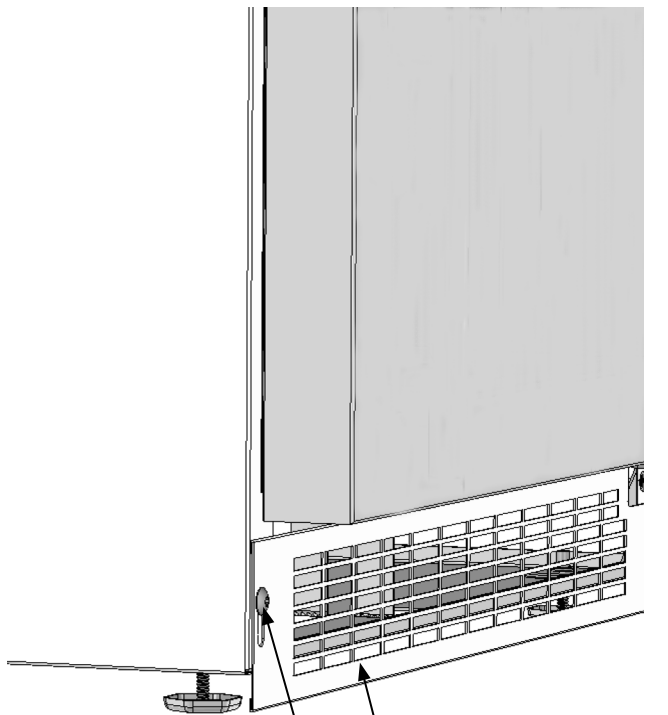


Figure 5

Toe kick (Front Grille)

Toe kick screw

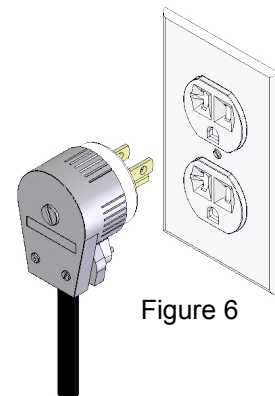


Figure 6

NOTE

Ground Fault Circuit Interrupters (GFCI) are prone to nuisance tripping which will cause the appliance to shut down. GFCI's are generally not used on circuits with power equipment that must run unattended for long periods of time, unless required to meet local building codes and ordinances.

HANDLE INSTALLATION

Handle Installation (Solid Door Models)

1. Remove the handle, (2) screws, and $\frac{5}{32}$ " allen wrench from the bag shipped inside the cabinet.
2. Locate handle opposite the hinges and secure in place using the (2) screws and the allen wrench.
(See Figure 7).

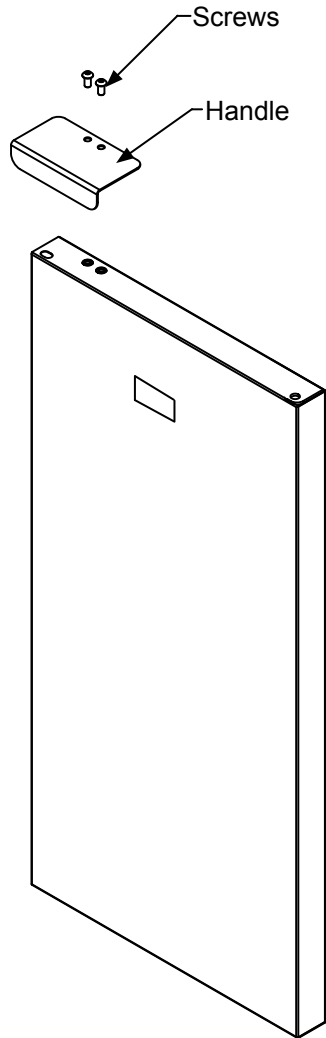


Figure 7
Right hand hinged
door shown

USING THE MICROSENTRY II™ CONTROL

Starting your appliance

The appliance will begin start up when initially plugged in or when power resumes after a power outage. If the appliance has been turned off during use, "OFF" will appear on the display. To start the appliance from the "OFF" position press and hold the ON/OFF button for three seconds.

Set temperature

To set the set temperature, press and continue to hold "SET" button. After one second, set temperature will be displayed. While holding "SET" button use the "WARMER" or "COLDER" button to desired set temperature.

NOTE

Momentarily pressing & releasing "SET" button will access information menu of control. Refer to appendix A for information on this feature.

Appliance operation


The available temperature range of the refrigerator is 2° to 8° C.


It may take up to 24 hours for your appliance to reach desired temperature. This will depend on amount of contents loaded and number of openings and closings of the door.

For best results allow the appliance to "pull down" to desired set temperature before loading. Once contents are loaded, allow at least 48 hours for temperature to stabilize before making any adjustments to the set temperature.

Alarms

Your MicroSentry II™ appliance control will monitor appliance function and alert you with a series of audible and visual alarms. For all alarm and error codes, the alarm LED located in the top left corner of the display panel will illuminate a steady amber. For all alarm and error codes except condenser cleaning, an audible alarm will sound, beeping in one (1) second intervals.

 • **Door Ajar Alarm:** If the door has been left open for over five (5) minutes, the alarm will sound and the display panel will flash "do." The alarm will stop once the door has been closed.

 • **High and Low Temperature Alarm:** If your unit reaches an unacceptable temperature, above or below your set temperature for a period of greater than 60 minutes, the temperature alarm will sound in one (1) second intervals. The display panel will flash either "hi" or "Lo" depending upon the condition. "hi" indicates a high temperature alarm, and "Lo" indicates a low temperature alarm.

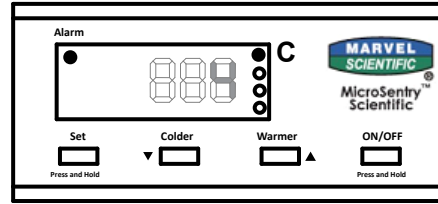


Figure 8
Control located
on face of door

The factory preset for the "hi" and "Lo" temperature deviation is +2°C from set temperature for the "hi" and -2°C from set temperature for the "Lo". If these temperature variations need to be adjusted, please call Marvel customer service at 800-223-3900 for instructions.




• **Temperature Sensor Fault:** If the control detects that the temperature sensor is not properly functioning, an audible alarm will sound, and "E1" will flash on the display. Please call Marvel customer service or your dealer if this error code is displayed.

Alarm Mute

Press any key to mute the audible portion of an alarm. NOTE-This action will only mute the alarm. If the condition that caused the alarm continues, the alarm code will continue to flash and will sound for 20 seconds every 60 minutes.

Turning Appliance Off

To turn appliance off, press and hold "ON/OFF" button for three (3) seconds. "OFF"  will appear on the display.

Additional MicroSentry II™ Features

Refer to Appendix A for details on additional features available.

PRODUCT DIMENSIONS

MODEL	ROUGH-IN OPENING DIMENSIONS			CABINET DIMENSIONS					
	"A"	"B"	"C"	"D"	"E"	"F"	"G"	"H"	"J"
MS15RA(S)	15" (38.1 cm)	**34" to 35" (86.4 to 88.9 cm)	*	14 ⁷ / ₈ " (37.8 cm)	33 ³ / ₄ " to 34 ³ / ₄ " (85.7 to 88.3 cm)	23 ²³ / ₃₂ " (60.2 cm)	24 ³¹ / ₃₂ " (63.4 cm)	38 ³ / ₃₂ " (96.7 cm)	15 ⁷ / ₈ " (40.3 cm)
MS24RA(G) or (S)	24" (61 cm)	**34" to 35" (86.4 to 88.9 cm)	*	23 ⁷ / ₈ " (60.7 cm)	33 ³ / ₄ " to 34 ³ / ₄ " (85.7 to 88.3 cm)	23 ²³ / ₃₂ " (60.2 cm)	24 ³¹ / ₃₂ " (63.4 cm)	47 ³ / ₃₂ " (119.6 cm)	24 ⁷ / ₈ " (63.2 cm)
SA24RA(S)	24" (61 cm)	** 31 ³ / ₈ " to 32 ³ / ₈ " (79.7 to 82.2 cm)	*	23 ⁷ / ₈ " (60.7 cm)	31 ¹ / ₈ " to 32 ¹ / ₈ " (79.1 to 81.6 cm)	23 ²³ / ₃₂ " (60.2 cm)	24 ³¹ / ₃₂ " (63.4 cm)	47 ³ / ₃₂ " (119.6 cm)	24 ⁷ / ₈ " (63.2 cm)

DOOR STYLE
(G) Glass Frame Door
(S) Solid Door

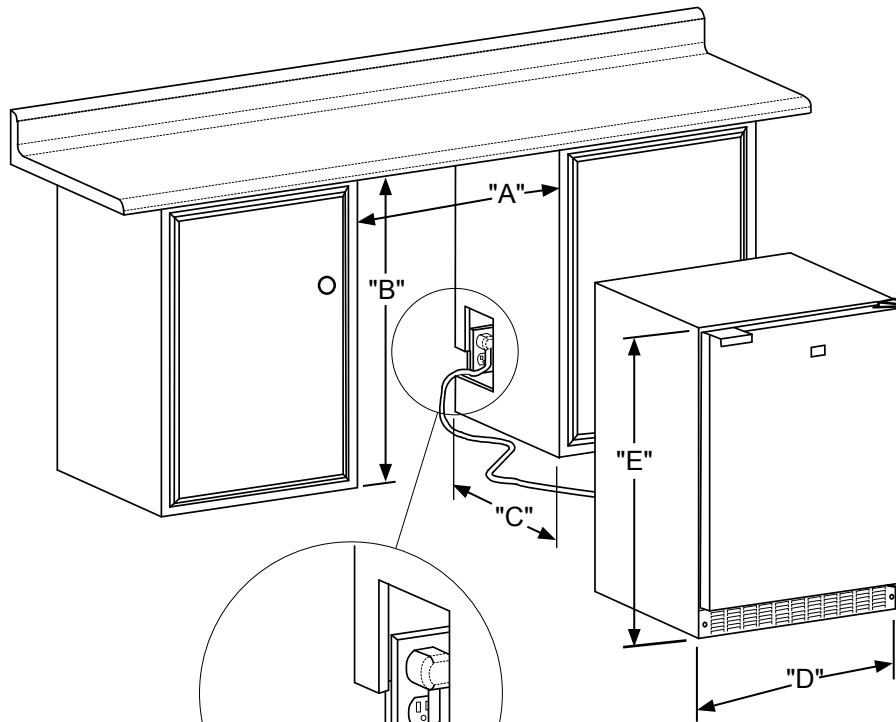


Figure 9
(S) Solid Door Shown

Figure 9a



Figure 10

If necessary to gain clearance inside the rough-in opening a hole can be cut through the adjacent cabinet and the power cord routed through this hole to a power outlet. Another way to increase the available opening depth is to recess the power outlet into the rear wall to gain the thickness of the power cord plug. Not all recessed outlet boxes will work for this application as they are too narrow, but a recessed outlet box equivalent to Arlington #DVFR1W is recommended for this application, (see Figure 10).

PRODUCT DIMENSIONS

PRODUCT DATA		
MODEL	ELECTRICAL REQUIREMENTS #	PRODUCT WEIGHT
MS15RA(S)	115V/60Hz/15A	105 lbs (47.7 kg)
MS24RA(G) or (S)	115V/60Hz/15A	130 lbs (59.1 kg)
SA24RA(S)	115V/60Hz/15A	130 lbs (59.1 kg)

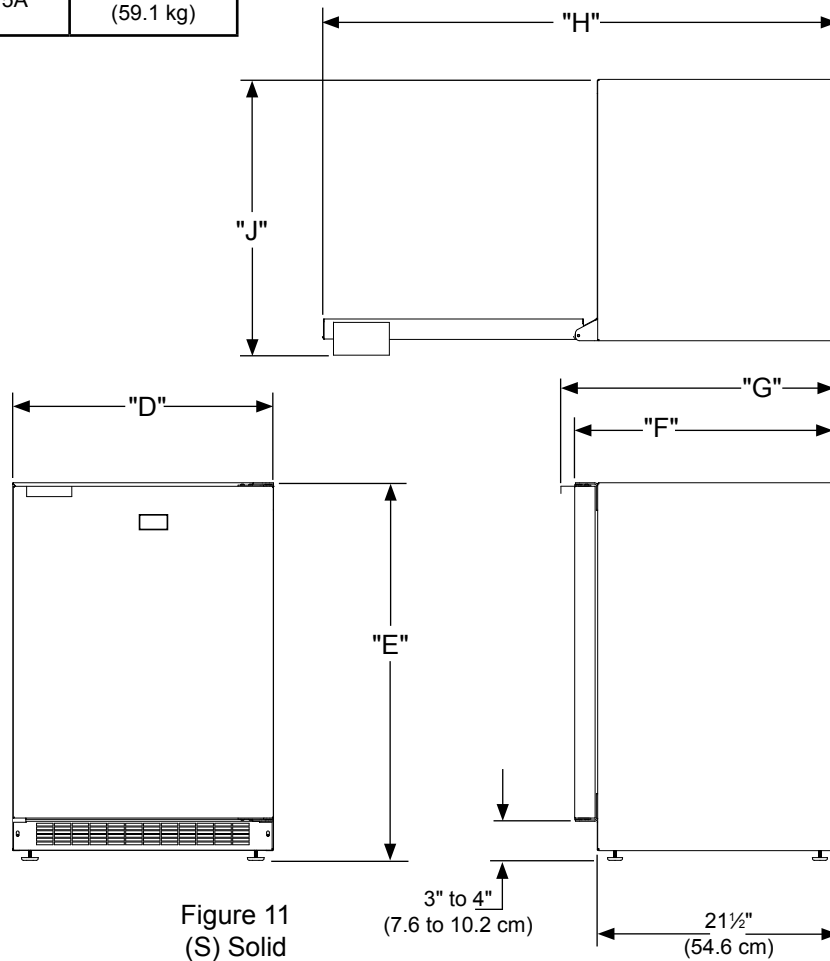


Figure 11
(S) Solid
Door Shown

* Depth dimension of rough-in opening may vary depending on each individual installation. To recess entire door "F" dimension plus 1 1/4" (3.2 cm) for thickness of power cord plug is required.

** Minimum rough-in opening required is to be larger than the adjusted height of the cabinet.

A grounded 15 amp dedicated circuit is required. Follow all local building codes when installing electrical and appliance.

FEATURES

MS15RA, MS24RA and SA24RA features

There are three adjustable shelves for flexibility of content storage. The shelves can move up or down to accommodate various content sizes.

Lock and Key

The optional lock and key allow you to lock and store contents.

Content Temperature versus Air Temperature

Air temperature moves up and down with door openings and compressor run and off cycles. Air has little thermal mass and therefore changes temperature relatively quickly between on/off cycles. Stored contents have much higher thermal mass so their temperatures change much slower. Always measure temperature with a mass weighted sensor to determine if the contents being stored are at the proper temperature.

Probe Port

The probe port is a hole from the inside to the outside of the unit, which is located on the back of the unit. (See Figure 13). Remove the foil label and foam plug(s) from the hole in the back of the unit, insert your probe or wires through the hole in the back of the unit. Seal hole with foam plug(s).

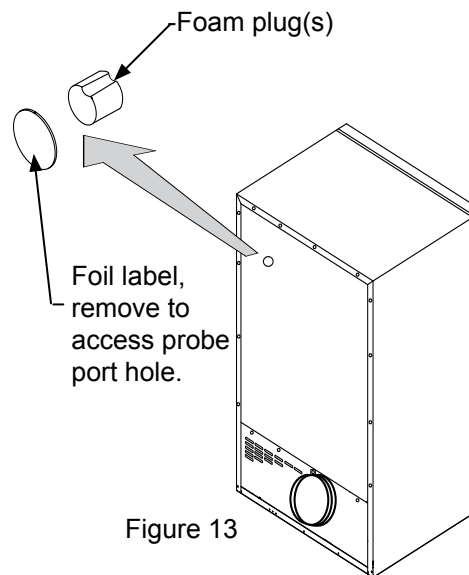


Figure 13



CAUTION

Make sure your cantilever shelf is secure on the shelf supports by pressing down on the shelf before loading.

Bottle Holder

For your convenience a bracket has been provided to hold your in-house temperature monitoring bottle. On the MS24RA it is located on the right side of the interior liner toward the top.

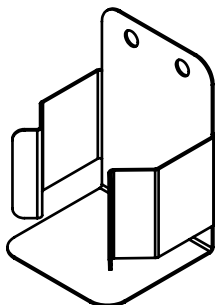
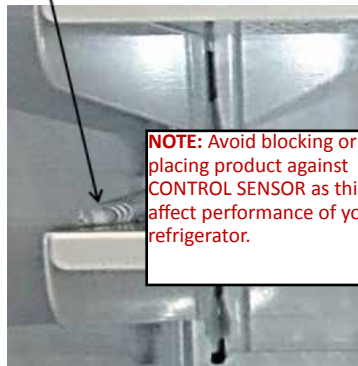
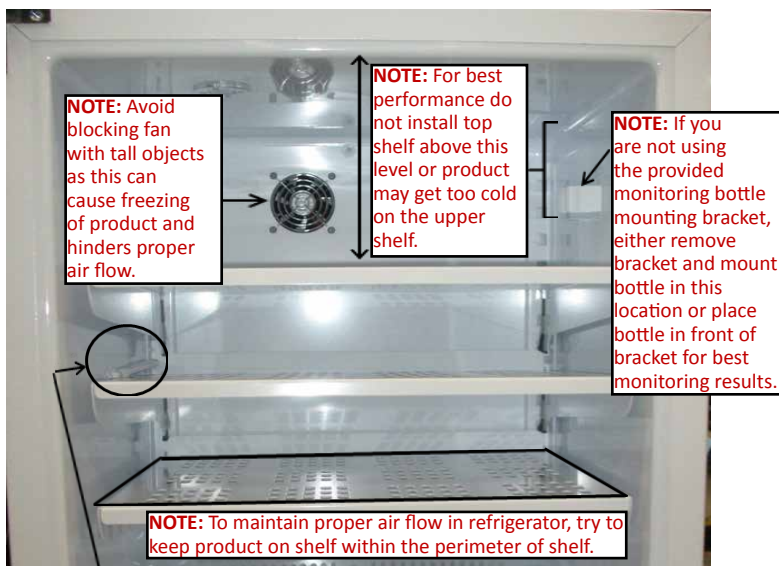


Figure 12
Bottle holder



CARE AND CLEANING AND ENERGY SAVING TIPS

Care and Cleaning



SHOCK HAZARD: Disconnect electrical power from the appliance before cleaning with soap and water.

Front Grille

Periodically brush and vacuum the front grille area to maintain proper air flow through the condenser coil. See page 4, Figure 2.

Cabinet

The painted cabinet can be washed with mild soap and water and thoroughly rinsed with clear water. NEVER use abrasive scouring cleaners.

Interior

Wash interior compartment with mild soap and water. DO NOT use an abrasive cleaner, solvent, polish cleaner or undiluted detergent.

Door Gasket

The vinyl gasket may be cleaned with mild soap and water, a baking soda solution or a mild scouring powder.

In the Event of a Power Failure

Minimize the number of door openings to prolong storage temperature until power is restored.

The following suggestions will minimize the cost of operating your refrigeration appliance.

1. Do not install your cold appliance next to a hot appliance, (ovens, glassware washers, etc.). heating air duct, or other heat sources.
2. Install product out of direct sunlight.
3. Ensure the toe grille vents at front of unit beneath door are not obstructed and kept clean to allow ventilation for the refrigeration system to expel heat.
4. Plug your appliance into a dedicated power circuit. (Not shared with other appliances).
5. When initially loading your new product, or whenever large quantities of warm contents are placed within refrigerated storage compartment, minimize door openings for the next 12 hours to allow contents to pull down to compartment set temperature.
6. Maintaining a relatively full storage compartment will require less appliance run time than an empty compartment.
7. Ensure door closing is not obstructed by contents stored in your appliance.
8. Allow hot items to reach room temperature before placing in product.
9. Minimize door openings and duration of door openings.
10. Use the warmest temperature control set-temperature that provides the proper storage for your stored contents.
11. Set the control to the "off" position if cleaning the unit requires the door to be open for an extended period of time.
12. Periodically clean the front grille (toe kick), see page 4.

TROUBLESHOOTING

Before You Call for Service

If the unit appears to be malfunctioning, read through this manual first. If the problem persists, check the troubleshooting guide below. Locate the problem in the guide and refer to the cause and its remedy before calling for service. The problem may be something very simple that can be solved without a service call. However, it may be required to contact your dealer or a qualified service technician.



WARNING

Electrocution Hazard

- Never attempt to repair or perform maintenance on the unit until the main electrical power has been disconnected. Turning the unit control "OFF" does not remove electrical power from the units wiring.
- Replace all parts and panels before operating.

Problem	Possible Cause	Remedy
Unit not cold enough.	<ul style="list-style-type: none"> • Control set too warm. • Airflow to front grille blocked. • Excessive usage or prolonged door openings. • Door gasket not sealing properly. 	<ul style="list-style-type: none"> • Adjust temperature colder. (See "Set temperature" on page 7). Allow 24 hours for temperature to stabilize. • Airflow must not be obstructed to front grille. See "clearances" on page 4. • Allow temperature to stabilize for at least 24 hours. • Check door alignment and/or adjust or replace door gasket.
Unit too cold.	<ul style="list-style-type: none"> • Control set too cold. 	<ul style="list-style-type: none"> • Adjust temperature warmer. (See page 7, "set temperature"). Allow 24 hours for temperature to stabilize.
Noise or Vibration.	<ul style="list-style-type: none"> • Unit not level. 	<ul style="list-style-type: none"> • Level unit, see "Leveling Legs" on page 4.
Unit will not run.	<ul style="list-style-type: none"> • Unit turned off. • Power cord not plugged in. • No power at outlet. 	<ul style="list-style-type: none"> • Turn unit on. See "Starting your appliance" on page 7. • Plug in power cord. • Check house circuit.

OBTAINING SERVICE

If Service is Required:

- If the product is within the first year warranty period please contact your dealer or call Marvel Customer Service at 800.223.3900 for directions on how to obtain warranty coverage in your area.
- If the product is outside the first year warranty period, Marvel Customer Service can provide recommendations of independent qualified servicers in your area. A listing of independent qualified servicers is also available at www.marvelrefrigeration.com under the service and support section.
- In all correspondence regarding service, be sure to give the model number, serial number, and proof of purchase.
- Try to have information or description of nature of the problem, how long the unit has been running, the room temperature, and any additional information that may be helpful in quickly solving the problem.
- Table B is provided for recording pertinent information regarding your product for future reference.

For Your Records	
Date of Purchase	
Dealer's name	
Dealer's Address	
Dealer's City	
Dealer's State	
Dealer's Zip Code	
Appliance Serial Number	
Appliance Service Number	
Date Warranty Card Sent (Must be within 10 days of purchase).	

Table B

COMMERCIAL PRODUCT WARRANTY

Marvel Refrigeration Limited Warranty

REGISTER YOUR PRODUCT

To register your product in our warranty system submit online at marvelrefrigeration.com. Keep your receipt, delivery slip, or some other appropriate payment record to establish the warranty period should service be required. If service is performed, it is in your best interest to obtain and keep all receipts.

1-YEAR LIMITED PARTS AND LABOR WARRANTY

For one year from the date of original purchase, this Marvel product warranty covers all parts and labor to repair or replace any part of the product that proves to be defective in materials or workmanship. For products installed and used for normal residential use, material cosmetic defects are included in this warranty, with coverage limited to 60 days from the date of original purchase. All service provided by Marvel under the above warranty must be performed by Marvel factory authorized service, unless otherwise specified by Marvel. Service provided during normal business hours.

LIMITED 5-YEAR SEALED SYSTEM WARRANTY

For five years from the date of original purchase, Marvel will repair or replace the following parts, labor not included, that prove to be defective in materials or workmanship: compressor, condenser, evaporator, drier, and all connecting tubing. All service provided by Marvel under the above warranty must be performed by Marvel factory authorized service, unless otherwise specified by Marvel. Service provided during normal business hours.

WARRANTY TERMS

These warranties apply only to products installed in any one of the fifty states of the United States, the District of Columbia, or the ten provinces of Canada. The warranties do not cover any parts or labor to correct any defect caused by negligence, accident or improper use, maintenance, installation, service, repair, acts of God, fire, flood or other natural disasters. The product must be installed, operated, and maintained in accordance with the Marvel User Guide.

The remedies described above for each warranty are the only ones that Marvel will provide, either under these warranties or under any warranty arising by operation of law. Marvel will not be responsible for any consequential or incidental damages arising from the breach of these warranties or any other warranty, whether express, implied, or statutory. Some states do not allow the exclusion or limitation of incidental or consequential damages, so the above limitation or exclusion may not apply to you. These warranties give you specific legal rights, and you may also have other rights which vary from state to state.

Any warranty that may be implied in connection with your purchase or use of the product, including any warranty of merchantability or any warranty fit for a particular purpose is limited to the duration of these warranties, and only extends to five years in duration for the parts described in the section related to the five year limited warranty above. Some states do not allow limitations on how long an implied warranty lasts, so the above limitations may not apply to you.

- The warranties only apply to the original purchaser and are non-transferable.
- These warranties cover products installed and used for normal residential use only.
- The warranties apply to units operated outside only if designed for outdoor use by model and serial number.
- Replacement water filters, light bulbs, and other consumable parts are not covered by these warranties.
- The start of Marvel's obligation is limited to four years after the shipment date from Marvel.
- In-home instruction on how to use your product is not covered by these warranties.
- Food, beverage, and medicine loss are not covered by these warranties.
- If the product is located in an area where Marvel factory authorized service is not available, you may be responsible for a trip charge or you may be required to bring the product to a Marvel factory authorized service location at your own cost and expense.
- Units purchased after use as floor displays, and/or certified reconditioned units, are covered by the limited one year warranty only and no coverage is provided for cosmetic defects.
- Signal issues related to Wi-Fi connectivity are not covered by these warranties.

For parts and service assistance, or to find Marvel factory authorized service near you, contact Marvel Refrigeration:
MarvelRefrigeration.com • techsupport@MarvelRefrigeration.com • +1.800.223.3900
1260 E. Van Deirse St., Greenville, MI 48838

APPENDIX A, ADDITIONAL MICROSENTRY II™ FEATURES

Information Menu / Lockout Key

To access the information menu, press the SET key, and immediately release it.

In the information menu, a 2 or 3 digit code will be displayed representing each entry in the information menu. The first code displayed will be t1. With each sequential press and release of the SET key, the following codes will appear in this order: t1, t2, thi, tLo, FrM, and Loc. (*The t2 code only appears on the refrigerator*).

To view the value of each code, press and hold the SET key after the desired code is displayed. Additionally, the WARMER and COLDER keys may be used to scroll through the menu. To exit the information menu, press the ON/OFF key, or wait for several seconds with no key presses.



1) Current Interior Temperature (t1): While t1 is shown on the screen press and hold the "SET" key to display the current interior temperature.



2) Defrost Sensor Temperature (t2) refrigerator only: While t2 is shown on the screen press and hold the "SET" key to display the temperature of the defrost sensor.



3) Maximum Stored Temperature (thi): While thi is shown on the screen, press and hold the "SET" key to display the maximum recorded temperature. The temperature is updated every 5 minutes. To reset the maximum temperature; continue to hold the SET key, then press and release the ON/OFF key to reset the maximum temperature. The maximum temperature will be reset to the current compartment temperature. It is recommended that thi be reset after the initial pull-down (24 hours after power on) to clear any residual values.



4) Minimum Stored Temperature (tLO): While tLo is shown on the screen, press and hold the "SET" key to display the minimum recorded temperature. The temperature is updated every 5 minutes. Continue to hold the SET key then, press and release the ON/OFF key to reset the minimum temperature. The minimum temperature will be reset to the current compartment temperature. It is recommended that tLo be reset after the initial pull down (24 hours after power on) to clear any residual values.



5) Firmware Version (FrM): While FrM is shown on the screen press and hold the "SET" key to display the version of the firmware.



6) Keypad Lockout Feature (Loc): This feature is used to prevent accidental changes to the set temperature, or accidentally turning the unit off. While Loc is displayed on the screen, press and hold the SET key.



If "No" is displayed, Lockout feature is off,

and all keys are enabled. If "Yes" is displayed, Lockout feature is ON. The ability to turn the unit on and off, as well as the ability to adjust set temperature will be disabled. To change the keypad lockout setting, continue to hold the SET key, then use the WARMER and COLDER keys to set the desired value.



www.marvelrefrigeration.com

Marvel Refrigeration

1260 E. VanDeinse St.
Greenville MI 48838

800.223.3900

41014158-EN Rev H
4/18/19

All specifications and product designs subject to change without notice. Such revisions do not entitle the buyer to corresponding changes, improvements, additions, replacements or compensation for previously purchased products.

Instructions d'installation, d'utilisation et d'entretien

Réfrigérateur scientifique avec affichage et
contrôle de température extérieurs

MS15RA
MS24RA
SA24RA



CONTENU

Déballage de votre appareil	3
Enlèvement de l'emballage	3
Enregistrement de la garantie	3
Installation de votre appareil	4
Choix de l'emplacement	4
Écartements par rapport à l'armoire.....	4
Pieds de mise à niveau	4
Raccordement électrique	5
Installation de poignées	6
Utilisation de votre contrôle	6
Dimensions du produit	8
Caractéristiques	10
Entretien et Nettoyage	11
Conseils pour les économies d'énergie	11
Dépannage de votre appareil	12
Obtention de service	12
Garantie sur les produits commerciaux de réfrigération ...	13
Annexe A	14

Importantes instructions de sécurité

Les avertissements et les instructions de sécurité qui apparaissent dans ce guide n'ont pas la prétention de couvrir toutes les conditions et situations possibles pouvant arriver. Il faut faire preuve de bon sens, de précautions et de soins, pour installer, utiliser ou entretenir cet appareil.

Reconnaissance des symboles, des mots et des étiquettes concernant la sécurité.



AVERTISSEMENT

AVERTISSEMENT-Risques ou pratiques dangereuses pouvant entraîner des blessures individuelles.



ATTENTION

ATTENTION-Risques ou pratiques dangereuses pouvant entraîner des blessures individuelles, des dégâts matériels ou des dommages au produit.

REMARQUE

REMARQUE-Information importante pour réaliser une installation sans problèmes.

Avertissements de la proposition 65 de l'État de Californie :

AVERTISSEMENT : Ce produit contient au moins un produit chimique connu par l'État de Californie pour être à l'origine de cancers.

AVERTISSEMENT : Ce produit contient au moins un produit chimique connu par l'État de Californie pour être à l'origine de malformations et autres déficiences de naissance.

DÉBALLAGE DE VOTRE APPAREIL



AVERTISSEMENT

AVERTISSEMENT

RISQUE DE POIDS EXCESSIF

Utilisez deux personnes ou plus pour déplacer le produit.
Sinon vous pourriez vous blesser.

Enlèvement de l'emballage

Votre appareil a été emballé pour l'expédition avec toutes les pièces pouvant être endommagées par le mouvement solide-ment attachées. Coupez le matériau de fixation en bas du carton, dépliez le carton par le bas et enlevez-le de l'appareil. Enlevez le sac en plastique, les cales d'angle en polystyrène expansé, et toutes les bandes adhésives maintenant la porte fermée et les composants à l'intérieur en place. Le manuel de l'utilisateur est envoyé à l'intérieur du appareil dans un sac en plastique, accompagné de la carte d'enregistrement de la garantie.



AVERTISSEMENT

AVERTISSEMENT - Jetez bien les sacs en plastique qui représentent un risque de suffocation.

Important

Conservez votre carton d'emballage jusqu'à ce que votre appareil ait été complètement inspecté et trouvé en bon état. S'il présentait des dommages, cet emballage serait nécessaire comme preuve qu'ils sont survenus durant le transit. Ensuite veuillez mettre toutes les parties de l'emballage au rebut de façon responsable, en particulier les sacs en plastique qui constituent un danger d'étouffement.

Note pour le client

Cette marchandise a été soigneusement et complètement inspectée avant de quitter notre usine. La responsabilité pour sa livraison sûre a été assumée par le revendeur à l'acceptation de cette expédition. Les réclamations pour perte ou dommages survenus durant le transit sont à adresser au revendeur.

REMARQUE

NE RENVOYEZ PAS DE MARCHANDISE ENDOMMAGÉE AU FABRICANT – DÉPOSEZ UNE RÉCLAMATION AUPRÈS DU REVENDEUR.



ATTENTION

Si l'appareil a été livré étant sur le dos, ou y est resté pendant une durée quelconque, laissez le appareil reposer debout pendant au moins 24 heures avant de la brancher électriquement. Cela assurera le retour de l'huile au compresseur. Un branchement immédiat du appareil pourrait endommager des parties internes.

Enregistrement de la garantie

Il est important que vous postiez votre carte de garantie immédiatement après avoir pris livraison de votre appareil. Enregistrement en ligne disponible sur www.marvelrefrigeration.com

Les informations suivantes seront nécessaires au moment de l'enregistrement de votre appareil :

Numéro de service
Numéro de série
Date d'achat
Nom et adresse du revendeur

La numéro de service et le numéro de série se trouvent sur la plaque signalétique qui est située à l'intérieur de l'armoire, du côté gauche près du haut (Voir la Figure 1).


MARVEL SCIENTIFIC GREENVILLE, MI 48838		 C US MC23973
MODEL NO.	<input type="text"/>	
SERVICE NO.	<input type="text"/>	REV. <input type="checkbox"/>
SERIAL NO.	<input type="text"/>	
VOLTS <input type="checkbox"/>	HZ <input type="checkbox"/>	PH <input type="checkbox"/>
BTU/HR <input type="checkbox"/>	AMPS <input type="checkbox"/>	R134A <input type="checkbox"/>
DESIGN PRESSURES		140 PSI LOW SIDE 300 PSI HIGH SIDE

Figure 1



AVERTISSEMENT

AVERTISSEMENT - Contribuez à éviter des tragédies

L'emprisonnement d'enfants et leur asphyxie ne sont pas des problèmes du passé. Des épaves de réfrigérateurs abandonnés continuent de présenter un danger - même en restant dehors pour «juste quelques heures».

Si vous devez vous débarrasser de votre vieil appareil de refroidissement, veuillez suivre ces instructions pour aider à éviter des accidents possibles.

Avant de jeter votre vieux réfrigérateur ou congélateur :

- Démontez ses portes ou enlevez ses tiroirs.
- Laissez les étagères en place de façon à ce que des enfants ne puissent pas facilement monter dedans.

INSTALLATION DE VOTRE APPAREIL

Choix de l'emplacement

Un bon emplacement assurera une performance de pointe pour votre appareil. Nous recommandons un endroit où l'unité ne sera pas exposée directement au rayonnement solaire et restera écartée de sources de chauffage. Pour assurer que les performances de votre produit soient au niveau de ses spécifications, la plage de températures recommandée au lieu d'installation sera de 65 à 90°F (18 à 32 °C).

Écartements par rapport à l'armoire

Une ventilation est nécessaire depuis la section frontale du bas de l'appareil. Gardez cette zone libre et exempte de toutes obstructions. Des meubles et comptoirs peuvent être installés autour de l'appareil de façon adjacente dans la mesure où l'accès à sa grille et sa porte restera non obstrué.

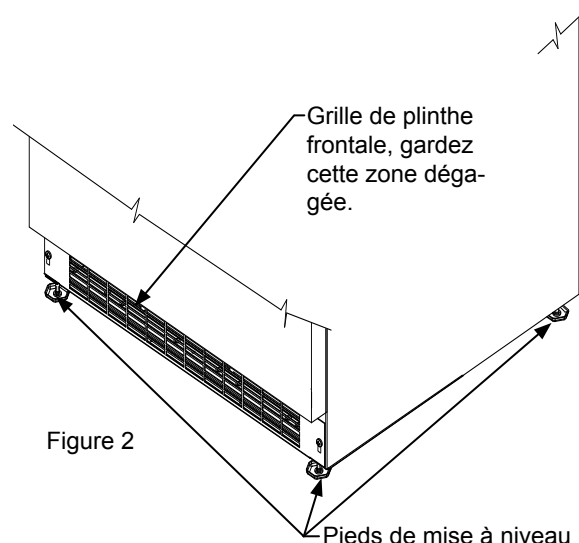


Figure 2



AVERTISSEMENT

Un kit optionnel d'empilage est nécessaire pour empiler des produits. Le fait de ne pas utiliser de kit d'empilage peut entraîner une blessure corporelle. Contactez votre revendeur ou le service à la clientèle de Marvel au 800-223-3900 pour le commander.

Pieds de mise à niveau

Des pieds réglables aux angles avant et arrière de l'armoire doivent être ajustés pour qu'elle soit fermement positionnée au sol et bien d'aplomb, d'un côté à l'autre et d'avant en arrière. La hauteur totale de votre appareil Marvel peut être ajustée entre le minimum (en vissant les pieds de mise à niveau, CW ↻) et le maximum (en dévissant les pieds de mise à niveau CCW ↻) des dimensions comme c'est montré au Tableau «A».

Pour régler ces pieds de mise à niveau, placez l'appareil sur une surface solide, en protégeant le sol en dessous pour ne pas le rayer. Avec l'aide d'une autre personne, inclinez vers l'arrière de l'appareil pour accéder aux pieds de mise à niveau de l'avant. Levez ou abaissez ces pieds à la hauteur requise en les tournant. Répétez la procédure pour les pieds arrière en inclinant le réfrigérateur vers l'avant en faisant attention. Sur une surface plane, vérifiez le niveau de l'appareil et ajustez les pieds en conséquence.

Les vis de la grille frontale peuvent être desserrées et la grille ajustée à la hauteur voulue. Quand le réglage est fait resserrez les vis de la grille frontale (Voyez la Figure 5).

Grille frontale

N'obstruez pas la grille frontale. Les ouvertures au travers de la grille frontale permettent l'écoulement de l'air par l'échangeur thermique du condenseur. Des restrictions de ce flux d'air vont augmenter la consommation d'énergie et affecter sa capacité de refroidissement. C'est pourquoi il est important que cette zone ne soit pas obstruée et soit maintenue propre. Marvel recommande de ne pas utiliser de grilles personnalisées, car l'écoulement d'air en serait diminué du fait d'ouvertures insuffisantes (Voir la Figure 2).

Modèle	Style de Poute	Minimum Height	Maximum Height
MS15RA*	(S)	33 3/4" (85.7 cm)	34 3/4" (88.3 cm)
MS24RA*	(G) or (S)	33 3/4" (85.7 cm)	34 3/4" (88.3 cm)
SA24RA*	(S)	31 1/8" (79.1 cm)	32 1/8" (81.6 cm)

Tableau A

RACCORDEMENT ÉLECTRIQUE

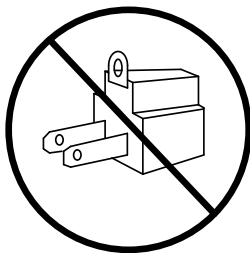
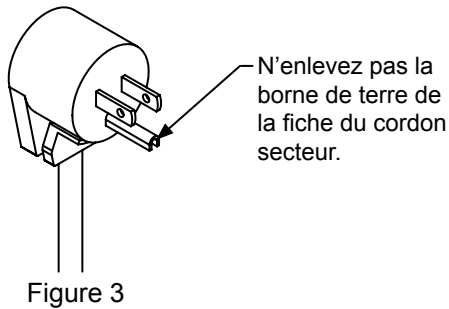


Figure 4



AVERTISSEMENT

Risque de commotion électrique

- N'utilisez pas de rallonge secteur avec ces appareils.
- N'enlevez pas la borne de terre de la fiche du cordon secteur. Voir la Figure 3.
- Ne pas utiliser un adaptateur. Voir la Figure 4.
- La prise murale doit être située près du produit et être de type polarisé avec une bonne terre de protection. Le produit doit être installé en conformité avec vos normes de construction et réglementations locales.
- N'envoyez pas d'eau par éclaboussure ou par jet d'un tuyau sur les appareils. Cela pourrait causer une commotion électrique, entraînant potentiellement des blessures graves voire mortelles.

Raccordement électrique

Un circuit secteur dédié en 115 V supportant 15 A est nécessaire.

Ce produit est équipé en usine d'un cordon secteur comportant une fiche avec terre à trois broches. Il faut la brancher dans une prise secteur correspondante avec terre, en conformité avec la norme électrique américaine et les normes et réglementations locales applicables (Voir la Figure 6). Si le circuit ne comporte pas une prise avec terre, le client doit en fournir une adéquate, c'est sa responsabilité. La troisième broche de terre ne doit en aucun cas être coupée ou enlevée.

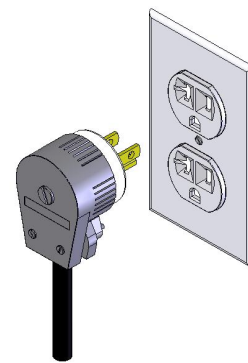
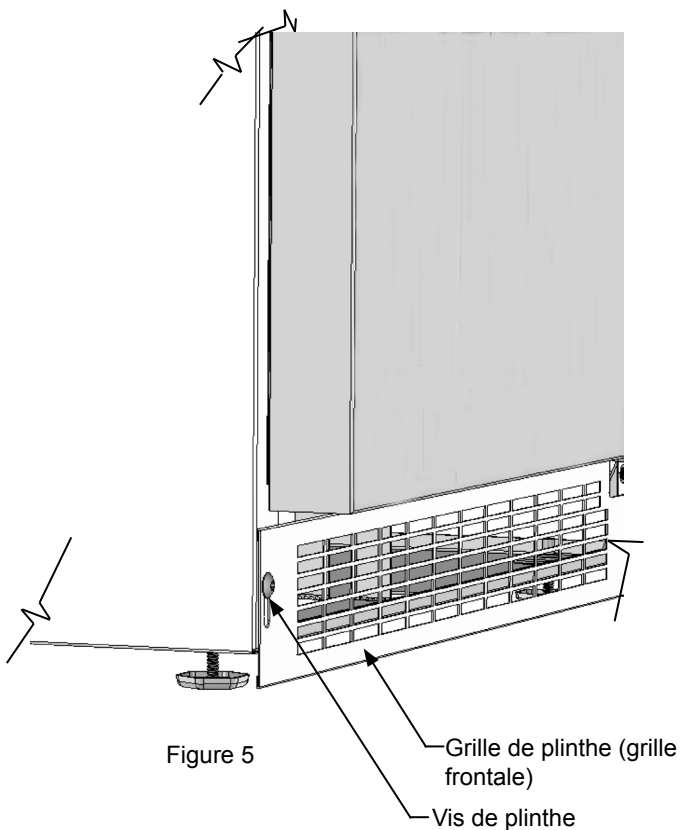


Figure 6

REMARQUE

Un disjoncteur sur détection de courant de fuite (GFCI) a tendance à provoquer des déclenchements intempestifs qui peuvent arrêter l'appareil. Ce type de protection n'est en général pas utilisé sur de l'équipement électrique qui doit tourner sans surveillance pendant de longues périodes, sauf si c'est imposé par les normes de construction et réglementations locales.

INSTRUCTIONS D'INSTALLATION DE POIGNÉES UTILISATION DE VOTRE CONTRÔLE

Installation de poignées

1. Sortez les poignées, (2) vis et une clé Allen de $\frac{5}{32}$ " du sac livré à l'intérieur du meuble.
2. Localisez le trou pour poignée situé en haut du tiroir et fixez-la en place en utilisant (2) vis serrées avec la clé Allen (Voir la Figure 7).

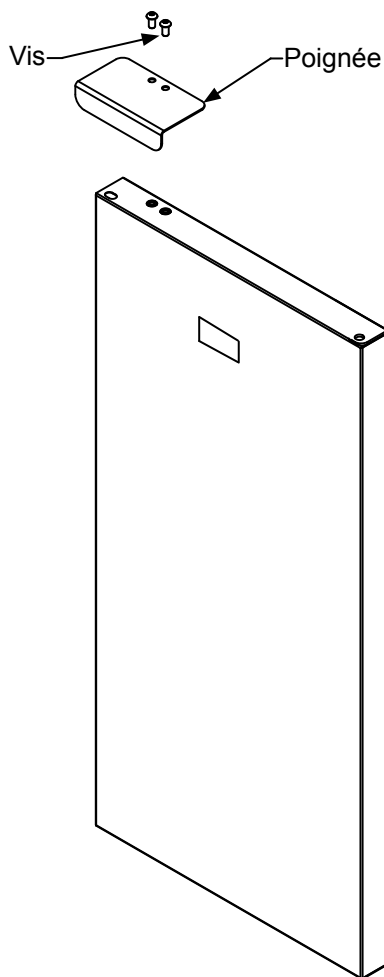


Figure 7
La main droite à charnière porte représentée

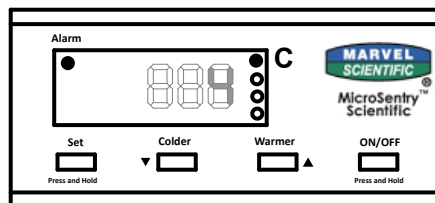


Figure 8
contrôle situé sur l'avant de la porte

Démarrage de votre appareil

L'appareil commencera à fonctionner à son branchement initial, ou quand l'alimentation revient après une coupure de secteur. Si l'appareil a été mis sur l'arrêt pendant son utilisation, "OFF" va être visible à l'affichage. Pour redémarrer l'appareil depuis cette position "OFF", appuyez sur le bouton M/A (ON/OFF) et maintenez-le enfoncé pendant trois secondes.

Fixation de consigne de température

Pour déterminer le point de consigne de température, appuyez sur le bouton de paramétrage "SET" et maintenez-le enfoncé. Après une seconde, le point de consigne sera affiché. Tout en maintenant le bouton "SET", utilisez le bouton "WARMER" ou "COLDER" pour monter ou descendre sa valeur au niveau voulu.

REMARQUE

Un appui bref sur ce bouton "SET" fait accéder à son relâchement au menu d'informations de contrôle. Référez-vous à l'Annexe A pour avoir des informations sur cette capacité.

Fonctionnement de l'appareil


La plage de température disponible pour le réfrigérateur est de 2 à 8° C.

Il peut falloir jusqu'à 24 heures pour que votre appareil atteigne la température voulue. Cela dépendra de la quantité chargée dedans, et du nombre d'ouvertures et de fermetures de sa porte.

Pour obtenir les meilleurs résultats, laissez l'appareil descendre à la température de consigne avant de le charger. Une fois le contenu chargé, laissez la température se stabiliser au moins 48 heures avant de procéder à tout ajustement du point de consigne.

Alertes

Votre contrôle MicroSentry™ de l'appareil va surveiller son fonctionnement et vous prévenir éventuellement avec une série d'alertes sonores et visuelles. Pour tous les codes d'alerte et d'erreur, le voyant à DEL situé à l'angle supérieur gauche du panneau d'affichage va s'allumer en couleur ambre fixe. Pour tous les codes d'alerte et d'erreur, excepté pour le nettoyage du condenseur, une alerte sonore va retentir, avec des bips espacés d'une (1) seconde.

 • **Alerte sur porte restée ouverte** : Si la porte a été laissée ouverte pendant plus de cinq (5) minutes, l'alerte va retentir et le panneau d'affichage va faire clignoter "do". L'alerte va cesser dès que la porte est refermée.

UTILISATION DE VOTRE CONTRÔLE



• Alerte sur température trop haute ou trop basse

Si votre appareil atteint une température inacceptable, en dehors de votre point de consigne pour une période de plus de 60 minutes, cette alerte de température retentit avec des intervalles d'une (1) seconde. Le panneau d'affichage va faire clignoter "hi" ou "Lo" suivant la condition. Le message "hi" indique une alerte sur température trop élevée, "Lo" indique une alerte sur température trop basse.

Le pré réglage de plage pour la dérive de température trop haute ou trop basse est de +2 °C par rapport à la consigne pour déclencher "hi", et -2 °C pour déclencher "Lo". Si cette amplitude de dérive de température doit être ajustée, veuillez appeler le service à la clientèle de Marvel au 800-223-3900 pour recevoir des instructions.



• Défaillance du détecteur de température :

Si le contrôle détecte que le capteur de température ne fonctionne pas correctement, une alerte sonore va retentir et "E1" va clignoter au panneau d'affichage. Veuillez appeler le service à la clientèle de Marvel ou votre revendeur si ce code d'erreur est affiché.

Mise en sourdine de l'alarme


Actionnez n'importe quelle touche pour mettre en sourdine la partie audible d'une alerte.

REMARQUE

Cette action ne fera que rendre muette l'alerte. Si la condition qui a causé l'alerte persiste, le code de cette alerte va continuer de clignoter et se manifesterá malgré tout de façon sonore pendant 20 secondes toutes les 60 minutes.

Mise à l'arrêt de l'appareil

Pour arrêter l'appareil, appuyez sur le bouton "ON/OFF" en le maintenant enfoncé pendant trois (3) secondes.

"OFF"  va apparaître à l'affichage.

Caractéristiques supplémentaires de MicroSentry™

Référez-vous à l'Annexe A pour des détails sur d'autres possibilités disponibles.

DIMENSIONS DU PRODUIT

MODÈLE	DIMENSIONS D'OUVERTURE BRUTE			DIMENSIONS D'ARMOIRE					
	«A»	«B»	«C»	«D»	«E»	«F»	«G»	«H»	«J»
MS15RA(S)	15 po (38,1 cm)	**34 po to 35 po (86,4 to 88,9 cm)	*	14 ⁷ / ₈ po (37,8 cm)	33 ³ / ₄ po to 34 ³ / ₄ po (85,7 to 88,3 cm)	23 ²³ / ₃₂ po (60,2 cm)	24 ³¹ / ₃₂ po (63,4 cm)	38 ³ / ₃₂ po (96,7 cm)	15 ⁷ / ₈ po (40,3 cm)
MS24RA(G) or (S)	24 po (61 cm)	**34 po to 35 po (86,4 to 88,9 cm)	*	23 ⁷ / ₈ po (60,7 cm)	33 ³ / ₄ po to 34 ³ / ₄ po (85,7 to 88,3 cm)	23 ²³ / ₃₂ po (60,2 cm)	24 ³¹ / ₃₂ po (63,4 cm)	47 ³ / ₃₂ po (119,6 cm)	24 ⁷ / ₈ po (63,2 cm)
SA24RA(S)	24 po (61 cm)	** 31 ³ / ₈ po to 32 ³ / ₈ po (79,7 to 82,2 cm)	*	23 ⁷ / ₈ po (60,7 cm)	31 ¹ / ₈ po to 32 ¹ / ₈ po (79,1 to 81,6 cm)	23 ²³ / ₃₂ po (60,2 cm)	24 ³¹ / ₃₂ po (63,4 cm)	47 ³ / ₃₂ po (119,6 cm)	24 ⁷ / ₈ po (63,2 cm)

STYLE DE PORTE
(G) Porte en verre
(S) Porte pleine

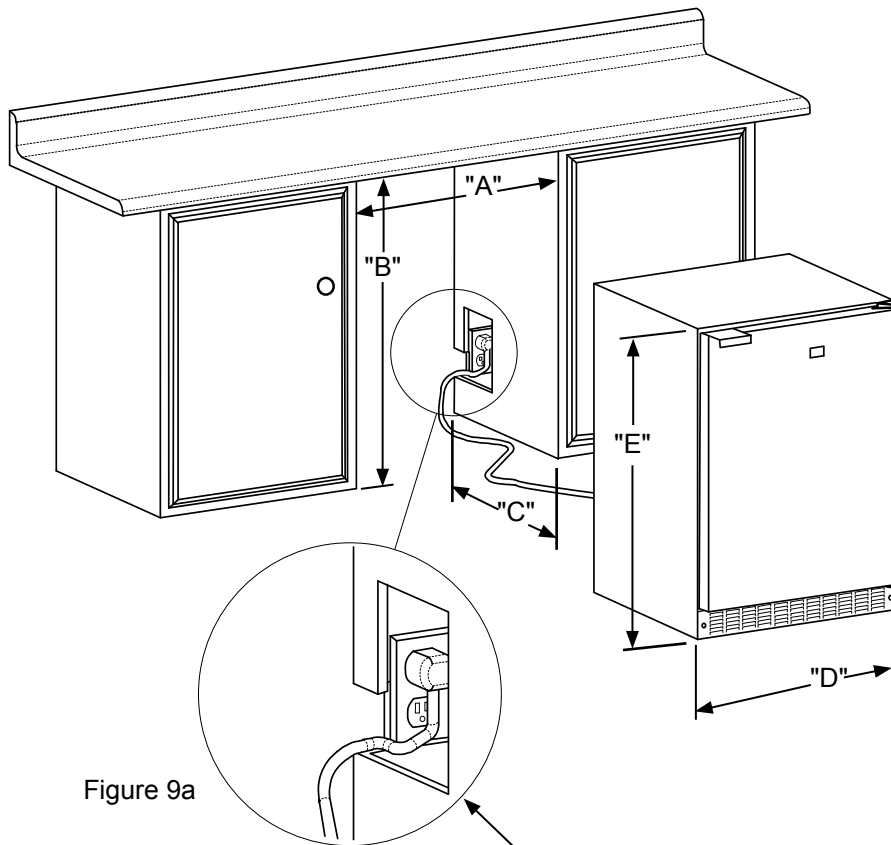


Figure 9
(S) Porte pleine montré

Figure 9a

S'il est nécessaire de gagner du dégagement à l'intérieur de l'ouverture brute, un trou peut être percé au travers du meuble adjacent et le cordon d'alimentation passé par ce trou jusqu'à une prise secteur. Une autre façon d'augmenter la profondeur disponible dans l'ouverture est d'encaster la prise secteur dans le mur arrière afin de gagner l'épaisseur de la fiche du cordon. Tous les types de prises secteur encastrées ne fonctionneront pas pour cette application car elles pourraient être trop étroites, mais un modèle équivalent à l'Arlington #DVFR1W est recommandé pour cette application (Voyez la Figure 10).



Figure 10

DIMENSIONS DU PRODUIT

DONNÉES DE PRODUIT		
MODÈLE	BESOINS ÉLECTRIQUES #	POIDS DU PRODUIT
MS15RA(S)	115V/60Hz/15A	105 lb (47,7 kg)
MS24RA(G) or (S)	115V/60Hz/15A	130 lb (59,1 kg)
SA24RA(S)	115V/60Hz/15A	130 lb (59,1 kg)

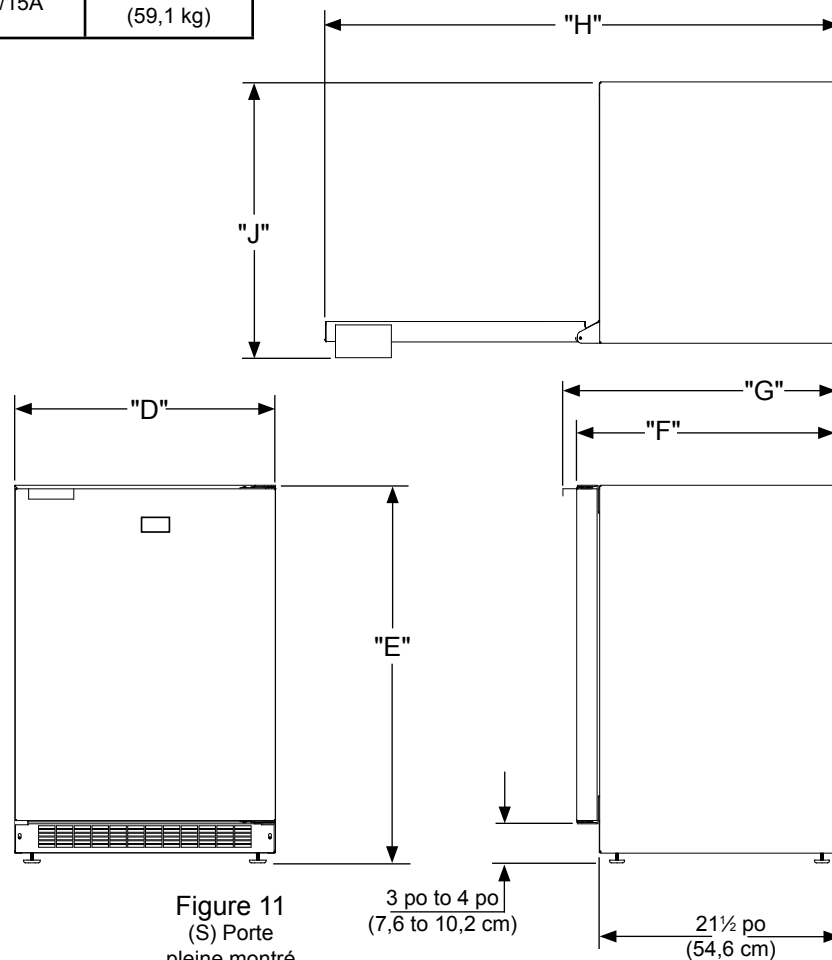


Figure 11
(S) Porte
pleine montré

* La dimension en profondeur de l'ouverture brute peut varier selon chaque installation individuelle. Pour ne pas faire dépasser toute la porte, la dimension «F» plus 1¼ po (3,2 cm) pour l'épaisseur de la fiche du cordon secteur est nécessaire.

** L'ouverture brute minimale nécessaire doit être supérieure à la hauteur ajustée de l'armoire.

Un circuit secteur dédié avec liaison de terre supportant 15 A est nécessaire. Appliquez toutes les normes de construction locales à l'installation de l'électricité et de l'appareil.

CARACTÉRISTIQUES

Caractéristiques du MS15RA, MA24RA, SA24RA

Il contient trois clayettes à position réglable pour la flexibilité de rangement du contenu. Elles peuvent être déplacées vers le haut ou le bas pour s'adapter à différentes tailles de contenu.

Verrouillage à clé

Le verrouillage à clé permet de protéger sous clé le contenu conservé.

Température du contenu par rapport à température de l'air

La température de l'air intérieur monte et descend en fonction des ouvertures de porte et des cycles d'activation/désactivation du compresseur. L'air possède une faible masse thermique d'où des changements rapides de température entre les cycles de compresseur. Les contenus conservés au froid possèdent une masse thermique plus importante et leurs températures varient bien plus lentement. Mesurez toujours les températures avec un capteur pondéré pour la masse afin de déterminer si les contenus sont gardés à la température adéquate.



ATTENTION

Assurez-vous que votre étagères en porte-à-faux est bien en place sur les supports en appuyant dessus avant de la charger.

Porte-bouteille

Pour votre commodité un support était fourni pour tenir votre bouteille interne de surveillance de température. Dans modèle MS24RA ce support s'est situé sur le mur intérieur, côté droit vers le haut.

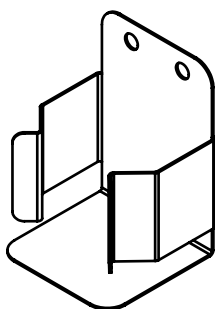


Figure 12 porte-bouteille

Port pour sonde

Ce port pour sonde est un trou permettant de passer de l'intérieur à l'extérieur de l'appareil, il est situé sur son dos (Voyez la Figure 12). Enlevez l'étiquette de feuille d'aluminium et le(s) bouchon(s) en mousse du trou au dos de l'appareil, insérez votre sonde ou vos fils au travers de la bague et du trou au dos de l'appareil. Rebouchez le trou avec de(s) bouchon(s) en mousse.

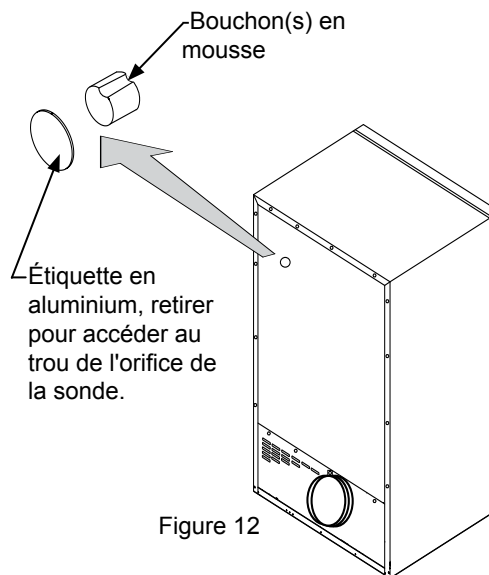
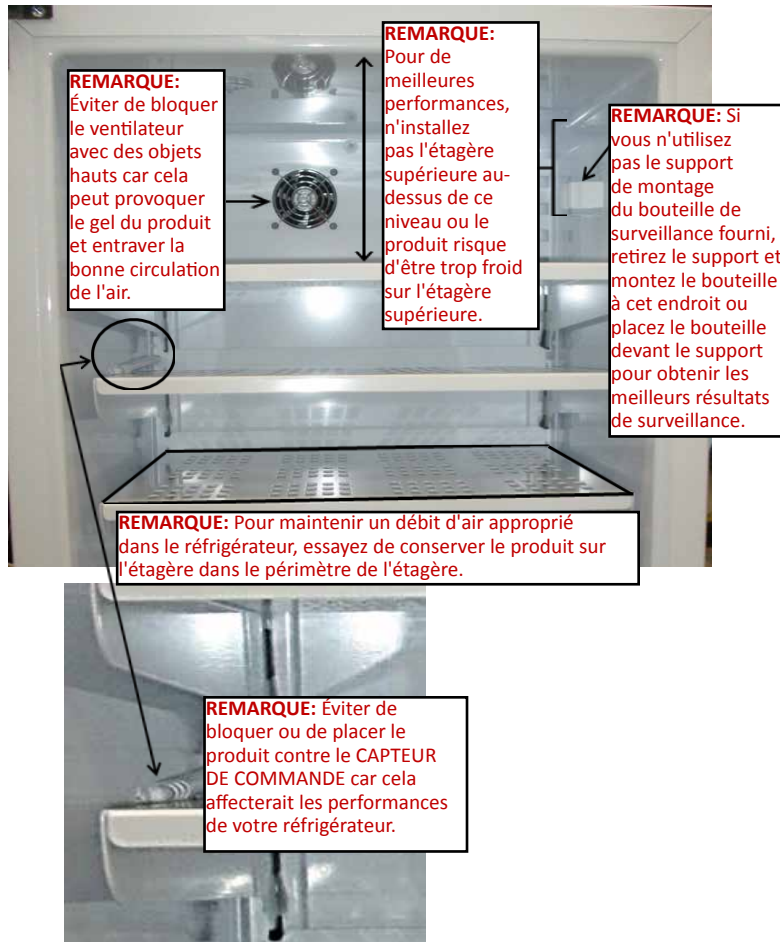


Figure 12





ATTENTION

RISQUE DE COMMOTION ÉLECTRIQUE : Débranchez l'alimentation secteur de l'appareil avant de le nettoyer à l'eau savonneuse.

Entretien et Nettoyage

Assurez-vous que rien n'obstrue les ouvertures pour flux d'air requises à l'avant de l'armoire. Au moins une à deux fois par an chassez par brosse ou par aspiration les peluches et les saletés dans la zone de la grille avant (Voir en page 4).

Armoire

L'armoire peinte peut se laver avec une solution savonneuse douce, puis soigneusement se rincer à l'eau potable. N'utilisez JAMAIS de produits nettoyants abrasifs.

Intérieur

Lavez le compartiment intérieur avec une solution savonneuse douce. N'utilisez pas de nettoyant abrasif, de solvant, de produit nettoyant/polissant ou de détergent non-dilué.

Joint de porte

Le joint en vinyle peut se nettoyer avec une solution savonneuse douce, une solution de bicarbonate de soude, ou une poudre décapante douce.

En cas de coupure du secteur

Si une panne d'alimentation arrivait, essayez de la corriger le plus tôt possible. Minimisez le nombre d'ouvertures de porte pendant la coupure du secteur afin de ne pas affecter la température dans l'appareil.

Les suggestions générales suivantes vont minimiser le coût de fonctionnement de votre appareil de refroidissement.

1. N'installez pas votre appareil près d'un autre appareil chaud (cuisinière, lave-vaisselle, etc.), d'une conduite d'air chaud, ou d'autres sources de chaleur.
2. Placez l'appareil à l'abri du rayonnement solaire direct.
3. Assurez-vous que les événements de la grille de plinthe devant l'appareil en bas de la porte ne sont pas obstrués et maintenus propres de façon à permettre une ventilation du système de refroidissement et chasser la chaleur.
4. Branchez votre appareil sur un circuit d'alimentation secteur dédié (Sans partage avec d'autres appareils).
5. Quand vous chargez initialement votre produit neuf, ou au cas où de grosses quantités de contenu tiède sont placées dans le compartiment de conservation au froid, minimisez les ouvertures de porte pendant les 12 heures qui suivent pour permettre au contenu de tomber à la température de consigne du compartiment.
6. En maintenant un compartiment d'entreposage relativement plein, il faut moins de périodes de fonctionnement en refroidissement de l'appareil qu'avec un compartiment vide.
7. Assurez-vous que la fermeture de porte n'est pas obstruée par des denrées entreposées dans votre appareil.
8. Permettez aux denrées chaudes de revenir à la température ambiante avant de les placer dans l'appareil.
9. Minimisez la fréquence et la durée des ouvertures de porte.
10. Utilisez le point de consigne de température le plus haut qui respecte votre préférence personnelle, et fournissez l'entreposage qui convient pour vos denrées conservées.
11. Réglez le contrôle en position d'arrêt (off) si le nettoyage de l'appareil nécessite que sa porte reste ouverte pour une période longue.
12. Nettoyez tous les ans le serpentin d'échangeur thermique du condenseur dans le compartiment de la machine sous l'unité (Voir les instructions d'entretien et de nettoyage en page 16).

DÉPANNAGE DE VOTRE APPAREIL ET OBTENTION DE SERVICE

Avant d'appeler pour du service

Si l'appareil semble présenter un dysfonctionnement, commencez par bien relire son manuel. Si le problème persiste, consultez le guide de dépannage qui suit. Identifiez le problème dans ce guide et consultez les colonnes de causes et de remèdes avant d'appeler pour du service. Le problème peut être quelque chose de très simple qui peut se résoudre sans demander une intervention de service. Cependant il peut être nécessaire de contacter votre revendeur ou un technicien de service qualifié.

Si du service est nécessaire :

- Si le produit est encore dans sa première année de garantie, veuillez appeler le service à la clientèle de Marvel au 800.223.3900 pour avoir des instructions sur la façon d'obtenir une couverture sous garantie dans votre secteur.
- Si le produit est sorti de sa première année de garantie, le service à la clientèle de Marvel peut vous fournir des recommandations sur les centres de service qualifiés de votre secteur. Cette liste des intervenants de service qualifiés est également disponible en ligne sur le site www.marvelrefrigeration.com, dans la section service et assistance.
- Dans toute correspondance relative au service, assurez-vous de bien fournir la référence de modèle, le numéro de série et le justificatif de l'achat.
- Essayez de donner des informations ou une description de la nature du problème, sur la durée pendant laquelle l'appareil a fonctionné, sur les températures de la pièce et de l'eau, et toutes les informations pouvant être utiles pour une résolution rapide du problème.
- Le Tableau B est fourni pour enregistrer les informations pertinentes sur votre produit, comme référence ultérieure.

Pour vos archives	
Date d'achat	
Nom du revendeur	
Adresse du revendeur	
Ville du revendeur	
État/province du revendeur	
Code Zip/postal du revendeur	
N° de série de l'appareil	
Numéro de service de l'appareil	
Date d'envoi de la carte de garantie (à faire dans les 10 jours après l'achat)	

Tableau B



AVERTISSEMENT

Risque d'électrocution –

- Ne tentez jamais de réparer ou d'exécuter de la maintenance sur l'appareil avant que son alimentation électrique n'ait été débranchée en amont. Passer l'appareil sur arrêt (OFF) n'enlève pas la présence de tension secteur sur les fils de câblage.
- Replacer pièces et panneaux avant de fonctionnement.

Problème	Cause possible	Remède
L'appareil n'est pas assez froid Ajustez la température (Voir en page 7 le réglage de consigne)	<ul style="list-style-type: none"> • Le contrôle a une consigne trop chaude • La température du contenu n'est pas encore stabilisée. • Utilisation excessive ou ouvertures prolongées de la porte. • Blocage du flux d'air de la grille frontale. • Défaut d'étanchéité du joint de porte. 	<ul style="list-style-type: none"> • Ajustez plus bas la consigne de température. Laissez stabiliser la température 24 heures. • Laissez la température se stabiliser pendant au moins 24 heures. • Le flux d'air ne doit pas être obstrué à la grille frontale. Consultez les valeurs d'écartements en page 4. • Vérifiez l'alignement de porte et/ou changez le joint de porte.
L'appareil est trop froid Ajustez la température (Voir en page 7 le réglage de consigne)	<ul style="list-style-type: none"> • Le contrôle a une consigne trop froide • Défaut d'étanchéité du joint de porte. 	<ul style="list-style-type: none"> • Ajustez plus haut la consigne de température (Voir la page 7 pour les instructions). Laissez stabiliser la température 24 heures. • Vérifiez l'alignement de porte et/ou changez le joint de porte
Bruit ou vibration	<ul style="list-style-type: none"> • L'appareil n'est pas d'aplomb 	<ul style="list-style-type: none"> • Mettez l'appareil d'aplomb, voyez en page 4 le réglage des pieds de mise à niveau.
L'appareil ne fonctionne pas.	<ul style="list-style-type: none"> • L'appareil est à l'arrêt. • Le cordon secteur n'est pas branché. • La prise secteur n'est pas alimentée. 	<ul style="list-style-type: none"> • Mettez l'appareil en marche. Voyez pour le démarrage de votre appareil en page 7. • Branchez la fiche du cordon. • Vérifiez l'alimentation électrique de votre maison.

GARANTIE SUR LES PRODUITS COMMERCIAUX DE RÉFRIGÉRATION

Garantie limitée de Marvel Refrigeration

ENREGISTREMENT DE VOTRE PRODUIT

Pour enregistrer votre produit dans notre système de garantie, soumettez en ligne sur le site marvelrefrigeration.com. Conservez votre reçu, bon de livraison ou autre document approprié attestant du paiement afin d'établir la période de garantie si une intervention s'avérait nécessaire. En cas d'intervention, il est de votre intérêt d'obtenir et de conserver tous les reçus.

GARANTIE LIMITÉE DE 1 AN SUR PIÈCES ET MAIN-D'OEUVRE

Pendant un an à compter de l'achat d'origine, cette garantie de produit Marvel couvre toutes les pièces et la main-d'œuvre nécessaires pour réparer ou remplacer toute partie du produit qui s'avérerait défectueuse du fait de matériaux ou d'exécution. Pour des produits installés et utilisés pour un usage domestique normal, des défauts cosmétiques sur les matériaux sont inclus dans cette garantie, mais avec une couverture limitée à 60 jours à partir de la date d'achat d'origine. Toute prestation de service fournie par Marvel dans le cadre de la présente garantie doit être effectuée par une entité de service agréée par l'usine Marvel, sauf spécification différente de Marvel. Le service sera fourni durant les heures ouvrées normales.

GARANTIE LIMITÉE DE 5 ANS SUR SYSTÈME SCELLÉ

Pendant cinq ans à compter de la date d'achat d'origine, Marvel réparera ou remplacera les pièces suivantes, main-d'œuvre non comprise, qui s'avéreraient défectueuses du fait de matériaux ou d'exécution : Compresseur, condenseur, évaporateur, déshydrateur, et toute la tubulure de raccordement. Toute prestation de service fournie par Marvel dans le cadre de la présente garantie doit être effectuée par une entité de service agréée par l'usine Marvel, sauf spécification différente de Marvel. Le service sera fourni durant les heures ouvrées normales.

TERMES DES GARANTIES

Ces garanties ne s'appliquent qu'à des produits utilisés dans un des cinquante États des États Unis d'Amérique, dans le District de Columbia, ou dans l'une des 10 Provinces du Canada. Ces garanties ne couvrent aucunement des pièces ou de la main-d'œuvre pour corriger un quelconque défaut causé par négligence, accident ou mésusage, entretien, installation, service, réparation, cas de force majeure, incendie, inondation ou catastrophes naturelles. Le produit doit être installé, utilisé et entretenu en conformité avec le Guide d'utilisation de Marvel.

Les remèdes décrits plus haut pour chaque garantie sont les seuls que Marvel délivrera, dans le cadre de ces garanties ou pour toute garantie découlant par force de loi. Marvel ne sera pas responsable de tous dommages annexes ou consécutifs venant d'une violation de ces garanties ou de n'importe quelle autre garantie, qu'elle soit explicite, implicite ou légale. Certains États ou Provinces ne permettent pas l'exclusion ou la limitation des dommages annexes ou consécutifs, de ce fait la limitation ou exclusion qui précède peut ne pas être applicable pour vous. Ces garanties vous donnent des droits légaux spécifiques, et vous pouvez avoir d'autres droits qui peuvent varier d'un État ou d'une Province à un(e) autre.

Toute garantie qui pourrait être implicite du fait de votre achat ou utilisation du produit, incluant toute garantie de valeur marchande ou d'adéquation à une finalité particulière, est limitée à la durée de ces garanties, et ne peut s'étendre pour cinq ans en durée pour les pièces décrites dans la section relative à la garantie de cinq ans qui précède. Certains États ou Provinces ne permettent pas de limitations sur la durée de garantie implicite, de ce fait les limitations qui précèdent peuvent ne pas être applicables pour vous

- Ces garanties ne s'appliquent que pour l'acheteur d'origine et ne sont pas transférables.
- Ces garanties couvrent des produits installés et utilisés iniquement pour un usage domestique normal.
- Ces garanties s'appliquent à des unités fonctionnant à l'extérieur iniquement si leur modèle et numéro de séries attestent qu'elles le peuvent.
- Les filtres à eau de remplacement, les ampoules d'éclairage et les autres pièces consommables ne sont pas couverts par ces garanties.
- Le commencement de l'obligation de Marvel est limité à quatre ans après la date d'expédition depuis Marvel.
- Une formation sur place sur la manière d'utiliser votre produit n'est pas couverte par ces garanties.
- La perte d'aliments, de boissons et de médicaments n'est pas couverte par ces garanties.
- Si le produit est placé dans une zone où l'entité de service agréée par l'usine Marvel n'est pas disponible, vous pouvez avoir à prendre en charge les frais de voyage, ou à apporter vous-même le produit à une de ces entités de service agréées.
- Les unités acquises après avoir servi comme produit d'exposition, et/ou certifiées comme étant reconditionnées, ne sont couvertes que par une garantie limitée d'un an, et ne bénéficient pas d'une couverture pour des défauts d'aspect.
- Les problèmes de signaux relatifs à une connectivité Wi-Fi ne sont pas couverts par ces garanties.

Pour des pièces de rechange ou de l'assistance technique, ou pour trouver une entité de service agréée par l'usine Marvel près de chez vous, contactez Marvel Refrigeration :
MarvelRefrigeration.com • techsupport@MarvelRefrigeration.com • +1.800.223.3900
1260 E. Van Deinse St., Greenville, MI 48838, USA

ANNEXE A: CARACTÉRISTIQUES SUPPLÉMENTAIRES DE MICROSENTRY™

Touche de Menu d'informations / Verrouillage

Pour accéder au menu d'informations, appuyez sur la touche SET et relâchez-la aussitôt.

Dans ce menu d'informations, un code à 2 ou 3 caractères sera affiché pour représenter chaque rubrique dans ce menu. Le premier code affiché sera t1. Après chaque appui et relâchement successif de la touche SET, les codes suivant apparaîtront, dans cet ordre : t1, t2, thi, tLo, FrM, et Loc (Le code t2 n'apparaît que sur le réfrigérateur).

Pour visualiser la valeur de chaque code, enfoncez la touche SET et maintenez-la enfoncée une fois que le code voulu est affiché. En plus les touches WARMER et COLDER peuvent être utilisées pour naviguer dans le menu. Pour sortir du menu d'informations, actionnez la touche ON/OFF, ou attendez plusieurs secondes sans actionner aucune touche.



1) Température intérieure actuelle (t1) : Pendant que "t1" est présent à l'écran, enfoncez et maintenez enfoncée la

température à l'intérieur actuelle.



2) Température au capteur de dégivrage (t2), réfrigérateur uniquement : Pendant que "t2"

est présent à l'écran, enfoncez et maintenez enfoncée la touche SET pour afficher la température au capteur de dégivrage.



3) Maximum de la température de conservation (thi) : Pendant que "thi" est présent à

l'écran, enfoncez et maintenez enfoncée la touche SET pour afficher la température maximale enregistrée. La température est renouvelée toutes les cinq minutes. Pour restaurer la température maximale : Continuez de maintenir la touche SET, puis enfoncez et relâchez la touche ON/OFF. La température maximale affichée reviendra à la valeur actuelle de température dans le compartiment. Il est recommandé que la température "thi" soit restaurée après la mise à froid initiale (24 heures après la mise sous tension) pour éliminer la valeur antérieure non significative.



4) Minimum de la température de conservation (tLo) : Pendant que "tLo" est présent à

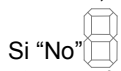
l'écran, enfoncez et maintenez enfoncée la touche SET pour afficher la température minimale enregistrée. La température est renouvelée toutes les cinq minutes. Continuez de maintenir la touche SET, puis enfoncez et relâchez la touche ON/OFF pour restaurer cette température minimale. La température minimale affichée reviendra à la valeur actuelle de température dans le compartiment. Il est recommandé que la température "tLo" soit restaurée après la mise à froid initiale (24 heures après la mise sous tension) pour éliminer la valeur antérieure non significative.



5) Version du microcode (FrM) : Pendant que "FrM" est présent à l'écran, enfoncez et maintenez enfoncée la touche SET pour afficher la version du microcode utilisé.



6) Verrouillage du clavier (Loc) : Cette possibilité est utilisée pour éviter des changements accidentels de température de consigne, ou une coupure involontaire de l'appareil. Pendant que "Loc" est présent à l'écran, enfoncez et maintenez enfoncée la touche SET.



Si "No" est affiché, le verrouillage est désactivé (OFF) et toutes les touches sont opérationnelles. Si "Yes"



est affiché, le verrouillage est activé (ON). La possibilité de mettre en marche ou d'arrêter l'appareil, ainsi que celle de modifier sa consigne de température, sera inhibée. Pour modifier la configuration du verrouillage de clavier, continuez d'appuyer sur la touche SET, puis utilisez la touche WARMER ou COOLER pour passer à l'état voulu.





www.marvelrefrigeration.com

Marvel Refrigeration

1260 E. VanDeinse St.
Greenville MI 48838

800.223.3900

41014158-FR Rev H
4/18/19

Toutes les spécifications et les conceptions des produits sont sujettes à des changements sans préavis. De telles révisions ne donnent aucun droit pour l'acheteur de produits antérieurs à bénéficier de ces changements, améliorations, ajouts, remplacements, ni de recevoir une compensation.